



# CURTIS GOLD CUP BREWER

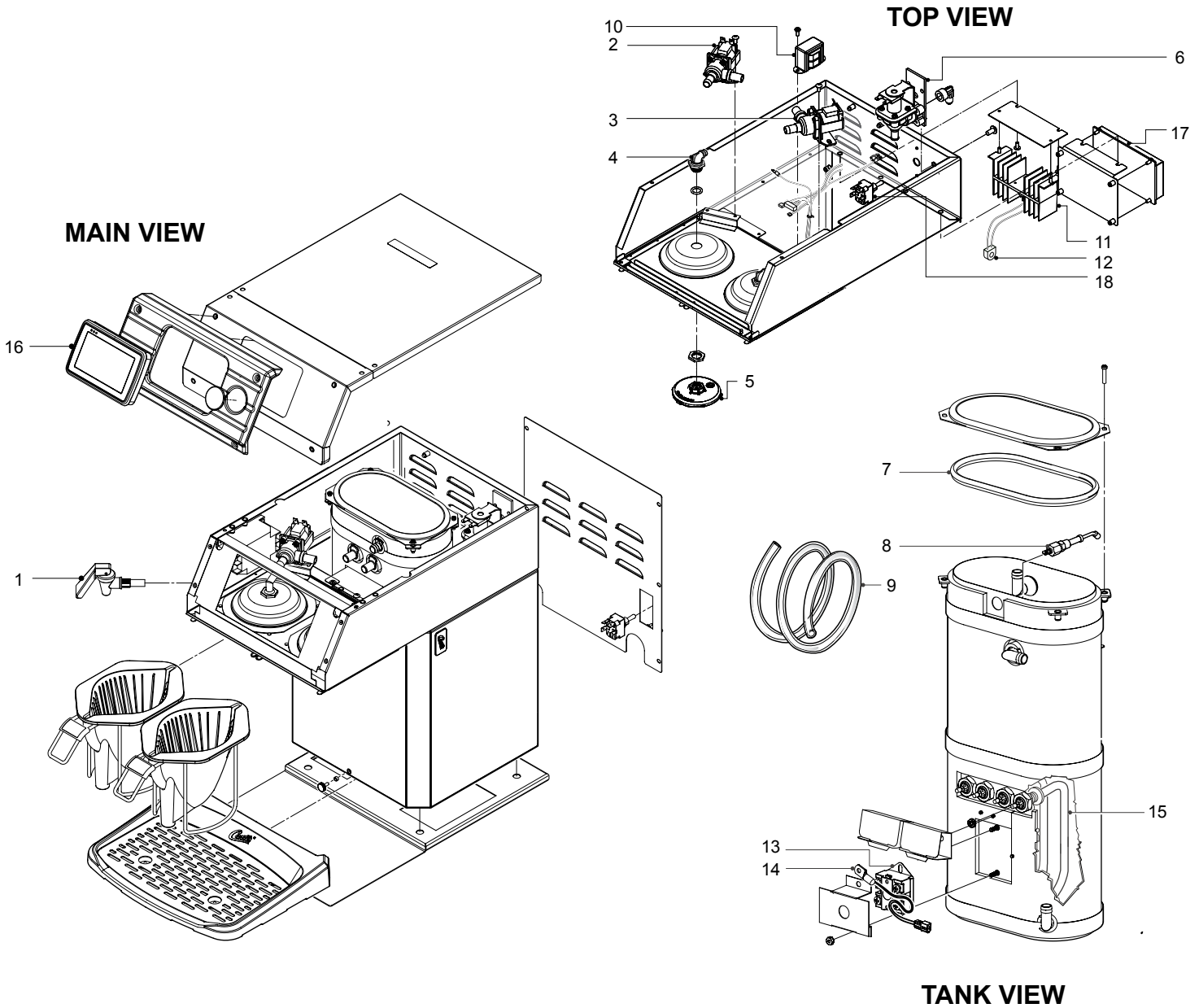
## TROUBLESHOOTING GUIDE



Model: CGC



# BREWER PARTS IDENTIFICATION



## WATER RELATED

PART #	DESCRIPTION
1. WC-1809	FAUCET, HOT WATER
2. WC-817	VALVE, DUMP RIGHT 120V 12W
3. WC-889	VALVE, DUMP LEFT 120V 12W
4. WC-2962-101K	KIT, FITTING SPRAYHEAD KYNAR
5. WC-29025	SPRAYHEAD, PURPLE
6. WC-826L	VALVE, INLET
7. WC-43062	GASKET, LID
8. WC-5527K	KIT, PROBE WATER LEVEL O-RING NUT
9. WC-5310	TUBE, 5/16 SILICONE

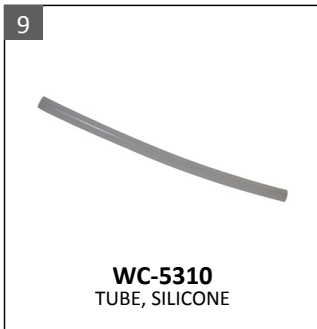
## HEAT RELATED

PART #	DESCRIPTION
10. WC-589-101	TRANSFORMER, 120/230VAC
11. WC-6193-0	HEATSINK AND TRIAC
12. WC-14045-101	CURRENT SENSOR ASSY G4
13. WC-522	THERMOSTAT, HI LIMIT HEATER
14. WC-1438-101	SENSOR, TEMPERATURE TANK
15. WC-917-04	ELEMENT, HEATING W/ JAM NUT WASHER

## MASTER CONTROL

16. WC-10000	CONTROL MODULE, G4
17. WC-10001	UNIVERSAL POWER MODULE, G4 (UPM)
18. WC-103	SWITCH, TOGGLE DPST 25A 125/250VAC

# PARTS IMAGES



## HEATING ISSUES

### Not heating (120 volt):

#### LCD reads "Heating"

- 1 Verify 120 volts between Blu14 & WHT14 on the heating element. If yes, replace heating element. If no, proceed to #2.
- 2 With the toggle switch turned off, remove WHT/GRY from triac gate, and connect to Red meter lead. Turn on toggle switch, and place Black meter lead to Neutral and/or L1 on power block. Verify 120 volts. If yes, replace triac. If no, replace U.P.M.

### Not heating (220 volt):

#### LCD reads "Heating"

- 1 Verify 220 volts between L1-L2 on the power block. If yes, proceed to #2. If no, verify that the unit is plugged in correctly, and that the panel breaker is turned on.
- 2 Verify 220 volts between #2 & #4 on the manual reset thermostat. If yes, proceed to #3, if no, reset or replace the manual reset thermostat.
- 3 Verify 220 volts across the toggle switch. If yes, proceed to #4. If no, replace the toggle switch.
- 4 Verify 220 volts across the heating elements. If yes, proceed to #5. If no, verify 120 vac on the triac gate. If yes, replace the triac. If no, replace the UPM.

Verify 9 ohm across each active heating element, and replace any heating element that reads "OPEN" or is "GROUNDED"

### Not heating (120/220 volt):

#### LCD reads "Ready"

- 1 Verify that the tank temperature is programmed for 200 degrees. If yes, proceed to #2. If no, adjust accordingly.
- 2 Turn off toggle switch, and unplug the temperature sensor from wiring harness. Set dvm to read 200k ohm, and connect meter leads to sensor connector. Sensor should read over 100k ohm if the tank is cold, and under 10k ohm if the tank is hot.
- 3 If the sensor is not within this range, replace the sensor. If the sensor is within this range, replace the UPM.

### Overheating (120/220 volt):

#### LCD reads "Heating"

- 1 Verify that the resistance on the temperature sensor is less than 10k ohms with a hot tank (200+ degrees) If no, verify correct mounting and that the walls of the tank are free of mineral deposits.
- 2 If yes, bypass the sensor using a jumper with a 5k ohm resistor. If the LCD reads "ready" and the unit stops heating, replace the temperature sensor, if not, replace the UPM.

### Overheating (120/220 volt):

#### LCD reads "Ready"

- 1 Check across A-1 & A-2 of triac for continuity. If continuity is present, replace triac, if no continuity, replace UPM.

# TROUBLESHOOTING INSTRUCTIONS

## TANK FILLING ISSUES

### Overfilling:

#### Turn OFF toggle switch.

Does the tank continue to fill?

Yes: Replace water inlet valve

No: Remove the orange wire from the water level probe and connect it to ground. Does the tank stop filling?

Yes: Replace the water level probe

No: Replace the UPM

### Not filling:

Yes: Verify 120 volts at the inlet valve coil

Yes: Replace inlet valve

No: Remove orange wire from the water Level probe. Does the tank fill?

Yes: Replace the water level probe

No: Replace the UPM

## BREWING ISSUES

### LCD does not read "Brewing":

If the LCD reads "Ready to Brew" and no response when Brew Button is pressed, replace the UPM

### LCD reads "Brewing":

Does water flow from the hot water faucet? If yes, verify 120 volts at the dump valve coil. If voltage is present at the dump valve coil, replace the dump valve.

If okay, replace the UPM. (Verify the resistance on the dump valve coil to be open in one direction, and under 2k ohm in the other direction before replacing the UPM).

If water does not flow from the hot water faucet, replace the water level probe.

**i** Ensure correct alignment of the sprayhead fitting and that the tubing is routed properly to allow for maximum water flow.

Ensure that the sprayhead is free of mineral deposits, and properly connected.

### Brewing Short Pots:

Verify that the dump valve outlet fitting on the tank, the tubing between the tank outlet and the sprayhead fitting, the sprayhead, and dump valve are clear of obstructions.

Ensure correct alignment of the sprayhead fitting and that the tubing is routed properly to allow for maximum water flow.

Verify that the hot water tank is filling correctly. If not, replace the water level probe.

If all the above are okay, replace the dump valve.

### Overflowing the Pot:

Ensure that the sprayhead has not been removed. Replace as needed.

Ensure that the hot water tank is not overflowing (See Tank Filling Issues).

Ensure cold brew lock is set to 5 degrees.

Ensure that lime/debris are not a factor. If all the above are okay, replace the dump valve.





**Wilbur Curtis Co., Inc.**

6913 Acco Street, Montebello CA 90640  
Customer Service: 800.421.6150 | 323.837.2300  
csrassistance@wilburcurtis.com  
Tech Support: 800.995.0417  
www.wilburcurtis.com