

gelato 5+5K twin

CREA serie

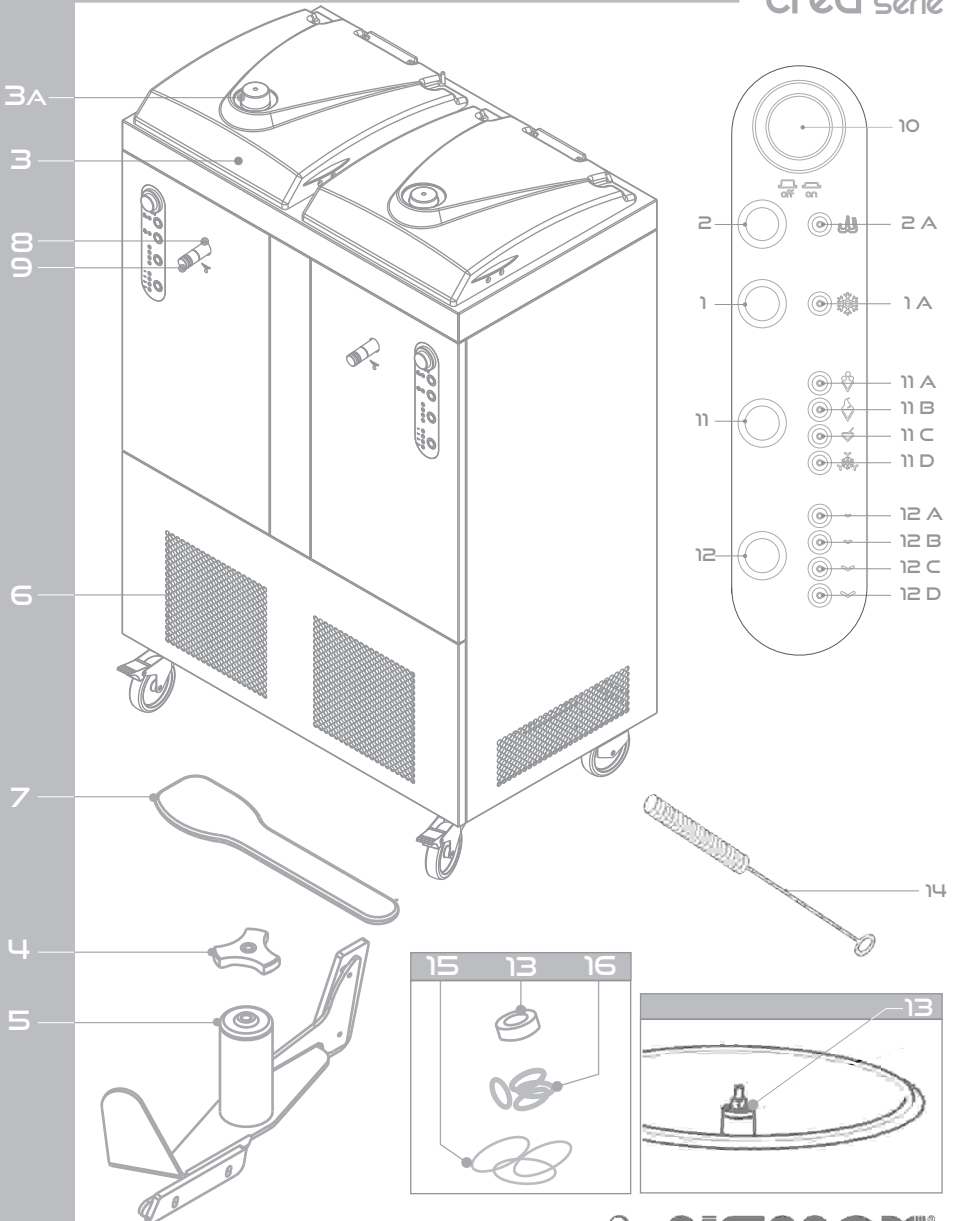
en	INSTRUCTION BOOK	Pag.	4
fr	MODE D'EMPLOI	Pag.	12
es	INSTRUCCIONES PARA EL USO	Pag.	21
it	ISTRUZIONI PER L'USO	Pag.	30
d	GEBRAUCHSANWEISUNG	Seite	39
nl	GEBRUIKSAANWIJZING	Pag.	48
py	ИНСТРУКЦИИ	Pag.	56





gelato 5+5K twin

CREA serie



made in italy by



NEMOX
PROFESSIONAL CLASS

U.K.: IMPORTANT INFORMATION FOR CORRECT DISPOSAL OF THE PRODUCT IN ACCORDANCE WITH EC DIRECTIVE 2002/96/EC.

At the end of its working life, the product must not be disposed of as urban waste. It must be taken to a special local authority differentiated waste collection centre or to a dealer providing this service. Disposing of a household appliance separately avoids possible negative consequences for the environment and health deriving from inappropriate disposal and enables the constituent materials to be recovered to obtain significant savings in energy and resources. As a reminder of the need to dispose of household appliances separately, the product is marked with a crossed-out wheeled dustbin.

F: AVERTISSEMENTS POUR L'ÉLIMINATION CORRECTE DU PRODUIT AUX TERMES DE LA DIRECTIVE EUROPÉENNE 2002/96/EC.

Au terme de son utilisation, le produit ne doit pas être éliminé avec les déchets urbains. Le produit doit être remis à l'un des centres de collecte sélective prévus par l'administration communale ou auprès des revendeurs assurant ce service. Éliminer séparément un appareil électroménager permet d'éviter les retombées négatives pour l'environnement et la santé dérivant d'une élimination incorrecte, et permet de récupérer les matériaux qui le composent dans le but d'une économie importante en termes d'énergie et de ressources. Pour rappeler l'obligation d'éliminer séparément les appareils électroménagers, le produit porte le symbole d'un caisson à ordures barré.

E : ADVERTENCIAS PARA LA ELIMINACIÓN CORRECTA DEL PRODUCTO SEGÚN ESTABLECE LA DIRECTIVA EUROPEA 2002/96/CE.

Al final de su vida útil, el producto no debe eliminarse junto a los desechos urbanos. Puede entregarse a centros específicos de recogida diferenciada dispuestos por las administraciones municipales, o a distribuidores que facilitan este servicio. Eliminar por separado un electrodoméstico significa evitar posibles consecuencias negativas para el medio ambiente y la salud derivadas de una eliminación inadecuada y permite reciclar los materiales que lo componen, obteniendo así un ahorro importante de energía y recursos. Para subrayar la obligación de eliminar por separado los electrodomésticos, en el producto aparece un contenedor de basura móvil tachado.

I: AVVERTENZE PER IL CORRETTO SMALTIMENTO DEL PRODOTTO AI SENSI DELLA DIRETTIVA EUROPEA 2002/96/EC.

Alla fine della sua vita utile il prodotto non deve essere smaltito insieme ai rifiuti urbani. Può essere consegnato presso gli appositi centri di raccolta differenziata predisposti dalle amministrazioni comunali, oppure presso i rivenditori che forniscono questo servizio. Smaltire separatamente un elettrodomestico consente di evitare possibili conseguenze negative per l'ambiente e per la salute derivanti da un suo smaltimento inadeguato e permette di recuperare i materiali di cui è composto al fine di ottenere un importante risparmio di energia e di risorse. Per rimarcare l'obbligo di smaltire separatamente gli elettrodomestici, sul prodotto è riportato il marchio del contenitore di spazzatura mobile barrato.

D: WICHTIGER HINWEIS FÜR DIE KORREKTE ENTSORGUNG DES PRODUKTS IN ÜBEREINSTIMMUNG MIT DER EGRICHTLINIE 2002/96/EG.

Am Ende seiner Nutzzeit darf das Produkt NICHT zusammen mit dem Siedlungsabfall beseitigt werden. Es kann zu den eigens von den städtischen Behörden eingerichteten Sammelstellen oder zu den Fachhändlern, die einen Rücknahmeservice anbieten, gebracht werden. Die getrennte Entsorgung eines Haushaltsgerätes vermeidet mögliche negative Auswirkungen auf die Umwelt und die menschliche Gesundheit, die durch eine nicht vorschriftsmäßige Entsorgung bedingt sind. Zudem ermöglicht wird die Wiederverwertung der Materialien, aus denen sich das Gerät zusammensetzt, was wiederum eine bedeutende Einsparung an Energie und Ressourcen mit sich bringt. Zur Erinnerung an die Verpflichtung, die Elektrohaushaltsgeräte getrennt zu beseitigen, ist das Produkt mit einer Mülltonne, die durchgestrichen ist, gekennzeichnet.

NL: BELANGRIJKE INFORMATIE VOOR DE CORRECTE VERWERKING VAN HET PRODUCT IN OVEREENSTEMMING MET DE EUROPESE RICHTLIJN 2002/96/EC

Aan het einde van zijn nuttig leven mag het product niet samen met het gewone huishoudelijke afval worden verwerkt. Het moet naar een special centrum voor gescheiden afvalinzameling van de gemeente worden gebracht, of naar een verkooppunt dat deze service verschaft. Het apart verwerken van een huishoudelijk apparaat voorkomt mogelijke negatieve gevolgen voor het milieu en de gezondheid die door een ongeschikte verwerking ontstaan en zorgt ervoor dat de materialen waaruit het apparaat bestaat teruggewonnen kunnen worden om een aanmerkelijke besparing en grondstoffen te verkrijgen. Om op de verplichting tot gescheiden verwerking van elektrische huishoudelijke apparatuur te wijzen, is op het product het symbool van een doorgekruiste vuilnisbak aangebracht.

РУ: ВАЖНАЯ ИНФОРМАЦИЯ ДЛЯ ПРАВИЛЬНОЙ УТИЛИЗАЦИИ ИЗДЕЛИЯ, В СООТВЕТСТВИИ С ДИРЕКТИВОЙ ЕС (ЕВРОПЕЙСКОГО ЭКОНОМИЧЕСКОГО СООБЩЕСТВА) 2002/96/ЕС

В конце своей рабочей жизни продукт не может быть утилизирован как городские отходы. Его необходимо доставить в специальный центр дифференцированного сбора отходов, предусмотренный городской администрацией, либо продавцу, предоставляющему данный вид услуг. Отдельная утилизация бытовых приборов позволяет избежать вероятных негативных последствий для окружающей среды и здоровья, которые могут возникнуть в результате неподобающей утилизации, а также предоставляет возможность повторного использования составляющих материалов, что способствует значительной экономии энергии и ресурсов. Для напоминания о необходимости отдельной утилизации бытовых приборов продукт маркирован значком перечёркнутого контейнера для сбора мусора.



AI 46

Nemox International s.r.l. reserves the right to carry out all modifications which might be considered necessary.

Nemox International s.r.l. se réserve le droit d'apporter toute modification qui se rend nécessaire.

Nemox International s.r.l. se reserva el derecho de hacer toda modificación que cree necesaria.

Nemox International s.r.l. si riserva il diritto di apportare tutte le modifiche ritenute necessarie.

Nemox International s.r.l. hält das Recht alle notwendigen Änderungen durchzuführen.

Nemox International s.r.l. behoudt zich het recht voor om alle wijzigingen die zouden kunnen worden geacht.

Nemox International s.r.l. Сохраняет за собой право на внесение необходимых поправок и изменений.

IMPORTANT SAFEGUARDS

When using electrical appliances, basic safety precautions should always be observed, including the following:

- Read all instructions carefully.
- To protect against risk of electric shock, do not put the main body of appliance in water or any other liquid.
- This appliance has not been designed to be used by persons (including children) with physical, sensory or mental impairments or who are lacking in experience or knowledge, unless they have been given the necessary supervision and prior instructions about how to use this appliance by a person responsible for their safety. Young children should be supervised to ensure that they do not play with the appliance.
- Unplug from outlet when not in use, before putting on or taking off parts, and before cleaning.
- Avoid contact with moving parts.
- Do not operate any appliance with a damaged cord or plug, or after the appliance malfunctions, or is dropped or damaged in any manner. Return the appliance to an authorised Service Center for examination, repair or electrical or mechanical adjustment.
- The use of attachments not recommended or sold by the appliance manufacturer may result in fire, electric shock or injury.
- Do not use outdoors.
- Do not let cord hang over edge of table or counter, or touch hot surfaces.

SAVE THESE INSTRUCTIONS

CAUTION

- An authorised service representative should perform any servicing other than cleaning and user maintenance. Authorised service personnel only should do repair.
- After removing the appliance from the packaging, check it for damage. If in doubt, do not use the appliance and contact an authorised service centre.
- Plastic bags, polystyrene, nails, etc. must not be left within reach of children as they are potentially dangerous.
- The appliance's manufacturer and vendor reject any responsibility for failure to comply with the instructions provided in this user manual.
- Check that the voltage shown on the rating plate corresponds to the voltage of the mains.
- Do not use sharp utensils inside the bowl! Sharp objects will scratch and damage the inside of the bowl. A rubber spatula or metal spoon may be used, when the appliance is in the "OFF" or "0" position.
- Never clean with scouring powders or hard implements.
- Do not place or use the appliance on or near hot surfaces, such as stoves, hotplates, or near open gas flames.
- Do not unplug the unit by pulling on the cord.
- The appliance must be connected to an electrical system and power supply socket with a minimum capacity of 10A, equipped with an efficient earth contact. The manufacturer is not responsible for damages to things or people in the event that the prescribed safety norms have not been respected.
- Before carrying out any maintenance or cleaning operations, make sure that the appliance has been disconnected from the electrical mains by removing the plug from the power supply socket.
- Never wash the appliance using water jets or place it in water!
- This appliance is suitable for use with 43°C max. ambient temperature (climatic class "T").

IMPORTANT:

This Ice Cream Machine contains its own refrigerant which must be allowed to settle after transport. Leave the Ice Cream Machine on a horizontal surface for at least 12 hours after purchase or after any move which might have stored the machine the wrong way up.

Leave at least 20 cm on each side of the machine to allow free air circulation. Make sure the vent slots are free and unobstructed.

UK USERS ONLY

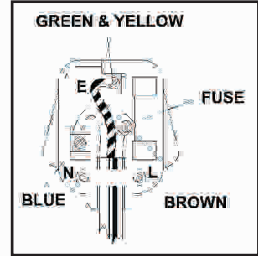
HOW TO CONNECT THE CORD TO A U.K. PLUG: IMPORTANT

The wires in the mains lead are coloured in accordance with the following code:

- Green and yellow: Earth
- Blue: Neutral
- Brown: Live

Please, read the instructions given below before connecting the cord to a plug. If in doubt, please, consult a qualified electrician. As the colours of the wires in the mains lead of this appliance may not correspond with the coloured markings identifying the terminals in your plug, proceed as follows: the wire that is coloured Green and Yellow must be connected to the terminal in the plug which is marked with the letter E or the Earth symbol (⊕), or coloured Green or Green and Yellow.

The wire that is coloured Brown must be connected to the terminal which is marked with the letter L or coloured Red. The wire that is coloured Blue must be connected to the terminal which is marked with the letter N or coloured Black.



SAFETY POINTS FOR REWIRABLE OR MOULDED PLUG

The mains lead of this appliance may be already fitted with a BS1363 13A plug.

- If your socket outlet is not suitable for the plug, then the plug must be removed (cut off if it is a moulded on plug), the flexible cord insulation should be stripped back as appropriate and a suitable 3 pin plug fitted.
- **WARNING: Dispose of a plug that has been cut from the power supply cord, as such a plug is hazardous if inserted in a live 13A socket outlet elsewhere in the house.**
- Should the fuse need to be replaced an ASTA marked fuse, approved to BS 1362, of the same rating must be used.
- Always replace the fuse cover after fitting a fuse. The plug must NOT be used if the cover is omitted or lost until a replacement is obtained. Make certain that only the correct fuse cover is used and fitted.
- For plugs with detachable fuse cover, the replacement must be the same as the colour insert in the base of the plug, or as directed by the embossed wording on the base of the plug.
- If the detachable fuse cover is lost a replacement may be purchased from a Service Centre.
- Information for supply may also be obtained from the plug manufacturer.

- | | | |
|--|--|--|
| 1). Cooling button. | 9). Water discharge tap. | 12b). Preservation cycle No.2 LED. |
| 1a). Cooling system operation LED. | 10). Master light switch. | 12c). Preservation cycle No.3 LED. |
| 2). Mixing paddle button. | 11). Program selection button. | 12d). Preservation cycle No.4 LED. |
| 2a). Paddle operation LED. | 11a). Gelato italiano ice cream program LED. | |
| 3). Transparent lid. | 11b). Semi soft Gelato program LED. | 13). Oil seal. |
| 3a). Hole to add ingredients with cap. | 11c). Granita program LED. | 14). Cleaner. |
| 4). Paddle locking ring. | 11d). Fast cooling program LED. | 15). Paddle plastic sleeve gasket set. |
| 5). Mixing paddle. | 12). Preservation time selection button. | 16). Water discharge tap gasket set. |
| 6). Ventilation grid. | 12a). Preservation cycle No.1 LED. | 17). Paddle plastic sleeve. |
| 7). Spatula. | | |
| 8). Water discharge tube. | | |

Congratulations!

You have purchased a latest generation NEMOX ice cream machine.

In addition to producing all the ice cream, sorbet and Granita you want, you can also conserve the preparations in the pot, so they are always at the ideal serving temperature and density.

GELATO 5+5 K TWIN CREA is composed of two identical groups which are totally independent and autonomous: two ice-cream makers in a single device!

An onboard computer will help you get the job done in the best way, enhancing your professionalism and hard work and saving you valuable time.

Your ice cream machine has two types of operation:

- **Manual mode**, the operation of the compressor and paddle are independent so as to make the most of your experience. The preservation system can be started on its own if you consider it appropriate. An electronic device stops the paddle when the consistency

Of the preparation is excessive, thus preventing compromising the mechanical functions of the machine. The cooling system will continue to run until it is manually stopped.

- **In automatic mode**, you can first choose one of the 4 programs available (classic Italian gelato, semi-soft gelato, Granita, fast cooling) and 4 preservation programs for every production type.

With this operating mode you will not have to worry about anything, once the selections are made and the ice cream machine is started, it produces ice cream and automatically switches to the desired preservation mode.

You just have to serve the ice cream to your customers, always with the correct consistency.

FIRST USE

- Place **GELATO 5+5K TWIN CREA** on a flat surface, make sure that the ventilation grids (6) are not obstructed. Leave a minimum clearance of 10 cm. around the ventilation grids.
- During use, the appliance must be kept clear of walls or furniture so as to not obstruct the inflow and outflow of cooling air. The leakage of warm or hot air is an integral part of the operation of the device, that exchanges heat with the outside for refrigeration.
- Leave the machine in a horizontal position for 8 hours or more before first use, as if it has been tilted during transport, the cooling agents must re-settle in the correct position.
- Before starting to use the machine, carefully clean the parts that are in direct or indirect contact with processed foods (pot, mixing paddle, paddle inserts, locking ring, lid etc).
- Hygiene is extremely important when dealing with food. Carefully follow the provisions of hygiene standards applicable in your country (HACCP or equivalent).

PREPARING THE MIXTURE

Select the recipe and prepare the mixture, paying attention to the following:

- Handle the ingredients as required by the hygiene standards applicable in your country (HACCP or equivalent).
- For the preparation of ice creams and sorbets, **do not introduce more than 1.25kg of mixture**, in order to allow for proper volume increase

while mixing.

- For the preparation of Granitas, the maximum recommended amount is 1kg. mixed with the paddle provided. It can process up to 1.5kg. of Granita using the special Granita paddle that can be purchased separately.
- It is recommended to pour the mixture at a temperature between +10°C and +20°C. Higher temperatures may also considerably increase the processing time.

DIRECTIONS FOR USE

- **GELATO 5+5 K TWIN CREA** is composed of two identical groups which are totally independent and autonomous: here is illustrated the operation of the single group.
- Check that the voltage indicated on the data plate corresponds to the local network. Insert the power plug into the power outlet and operate the main switch (10); the light will indicate the presence of voltage. The electronic board will run an initialization check, triggering all the LEDs on the control panel in sequence.
- Insert the mixing paddle (5) in the pot, turning it clockwise until it is positioned in the bottom of the pot.
- Tighten the locking ring (4) to the bottom so that the mixing paddle is securely attached.
- Pour the previously prepared mixture.
- Close the lid (3).

MANUAL MODE

- Start the cooling system by pressing the Button (1); the LED (1a) will light up.

IMPORTANT: if the machine is turned off due to sudden and temporary suspension of power supply or incorrect operation using the power keys of the refrigerant, wait a few minutes before restarting.

- Press button (2) to start the paddle; the LED (2a) lights up, the production cycle begins. The preparation time varies depending on the quantity, initial temperature of the mixture, product type (creamed, sorbet or Granita) and ambient temperature.

IMPORTANT: The movement of the paddle is entirely independent of the cooling system. A safety device stops the movement of the paddle when the lid is lifted.

If the lid remains raised for prolonged periods, the cooling system will continue to operate.

Consequently, when the lid is lowered again the paddle may not start or stop due to the excessive consistency of the mixture. In this case, the electronic control will permanently stop the paddle and LED (2a) will flash to indicate the fault.

If the preparation is not yet complete, turn off the compressor by pressing the button (1) and the paddle via the button (2), wait until the mixture becomes softer and restart production.

- According to the recipe and the amount of ingredients used, average production time is 15/20 minutes.
- Through the opening (3a) on the lid, you can add additional ingredients (e.g. to make ripple ice cream during the last preparation phase).
- When the preparation has reached the desired consistency, turn off the cooling system by pressing button (1) and stop the paddle by pressing button (2). To easily remove the preparation from the pot, remove the mixing paddle (5) by loosening the appropriate locking ring (4).

MANUAL START OF THE PRESERVATION CYCLE

- Should it become necessary to start the preservation cycle manually, you can do this at any time. Keep paddle button (2) and compressor button (1) pressed simultaneously for 3 seconds. The machine will immediately switch to preservation cycle related to the classic Italian gelato production program. The LED (12a) will turn on.
- Should you need to run a preservation cycle related to a different production program, before switching from manual mode to preservation mode, select the desired production program (see section "CHANGING THE PRESERVATION CYCLE").

AUTOMATIC MODE

The **GELATO 5+5K TWIN CREA** machine has a series of programs which automate the production and preservation process.

- Follow the steps described in the section "DIRECTIONS FOR USE".
- Press button (11) to start up the machine in automatic mode by selecting the first operation program. The LED flashes for 3 seconds during which, if you keep on pressing the button (11), you will be able to select other

programs in sequence.

- When the LED becomes steadily lit, the associated program starts up and begins the production cycle.
- The machine has 4 production programs and 4 preservation cycles for each of them. When the program selected starts up you can choose the preservation cycle desired. Choose the preservation cycle by pressing the button (12) repeatedly. When switching from the first preservation program to the fourth, gelato consistency increases gradually.
- When the ice cream reaches the right consistency, the production program stops automatically and the preset preservation cycle is enabled.
- Every production program has a preset threshold time after which the machine enters in preservation cycle, regardless of the current production phase.
- If deemed appropriate, it is possible to enable the selected preservation cycle at any time, ending the production program. Select the preservation cycle desired via the key 12 (sequence selection). Keep the paddle button (2) and compressor button (1) pressed simultaneously for 3 seconds. The machine will immediately switch from production cycle to preservation cycle.
- **CLASSIC ITALIAN GELATO AND SORBET PROGRAM.** By pressing button (11) once, the LED (11a) will light up and activate the production program. At the end of the production cycle, the LED (11a) flashes indicating that the selected preservation cycle has been activated.
If the preparation was ready before reaching the operation time limit, the whipping paddle locks. The preservation function is automatically activated.
- **SEMI-SOFT GELATO PROGRAM.** By pressing button (11) twice, LED (11b) will light up and activate the processing program. At the end of the production cycle, the LED (11b) flashes indicating that the selected preservation cycle has been activated.
If the preparation was ready before reaching the operation time limit, the whipping paddle locks. The preservation function is automatically activated.

• **GRANITA PROGRAM.** By pressing button (11) three times causes LED (11c) to light up and activate Granita processing. At the end of the production cycle, the LED (11c) flashes indicating that the selected preservation cycle has been activated.

If the preparation was ready before reaching the operation time limit, the whipping paddle locks. The preservation function is automatically activated.

• **FAST COOLING PROGRAM.** Pressing button (11) four times causes LED (11d) to light up and activate the fast cooling program. At the end of the production cycle, the LED (11d) flashes indicating that the selected preservation cycle has been activated.

This program is used when processing mixtures with high initial temperatures. The program quickly brings down the temperature without adding too much air into the mixture, saving time and improving the quality of the ice cream made.

SELECTED PROGRAM VARIATION

Should it become necessary to select a different program when a program is running, you can simply press button (11). When the new program is selected, the currently running program will stop. The new program will be active immediately with its own execution times that will restart from the initial values.

SWITCHING FROM AUTOMATIC TO MANUAL OPERATION

During the processing program, it is possible to switch to manual mode at any time.

Holding down button (11) for 3 seconds switches the machine to manual mode while enabling the paddle LEDs (2a) and compressor (1a).

The preservation cycle selected will be deactivated.

TURNING OFF THE MACHINE DURING AUTOMATIC OPERATION MODE

If you need to turn off the machine before the completion of the active processing program, you first need to switch to manual mode by pressing and holding button (11) for 3 seconds and then pressing paddle (2) and compressor (1) to stop any activity. Do not act directly on the main switch (10)!

PRESERVATION CYCLE VARIATION WHILE A PROGRAM IS RUNNING

During the preparation phase it is possible to automatically vary the preservation cycle set at any time. Repeatedly press button (12) until the LED that corresponds to the desired cycle is activated. The LED will flash for 3 seconds and becomes steadily lit: the new preservation cycle is selected at this point and will be performed at the end of the program. Each preparation program will activate at the end of the selected preservation cycle.

PADDLE LOCK UPON LID OPENING

The opening of the lid (3) only stops paddle (5) and does not affect the preparation program.

The closure of the lid (3) starts the motion of the paddle (5) (where, at that time it is provided by the selected program). If the mixture proves excessively thick to prevent the movement of the paddle, the machine will automatically activate the previously selected preservation cycle.

AUTOMATIC PRESERVATION

There are 4 preservation cycles available for every whipping program (total of 16 cycles) devised to meet a wide range of needs.

- In automatic mode, if the machine is not stopped, at the end of each production cycle is enabled the ice cream preservation cycle selected.
- The activation of the preservation function is indicated by flashing of the LED corresponding to the processing program of the ice cream selected.
- The desired cycle selection can take place either at the beginning or during the processing phase.
- Depending on the type of recipe and/or the quantity prepared, every set of preservation cycles combined with paddle speed enables keeping gelato, Granita and sorbet or other whipped products at the desired conditions.
- Pressing the button (12) several times causes the selection LEDs of the various preservation cycles to light up in sequence. If you switch from the first (LED (12a) active) to the fourth (LED (12d) active) preservation program, the density of gelato increases gradually.
- Once you have selected the desired cycle, the corresponding LED will flash for 3 seconds and will become steadily lit, enabling the selection.

VARIATION OF THE PRESERVATION CYCLE

You can always select a different preservation cycle either during the active phase and during the pause phase of the running cycle. Repeatedly press button (12) until the LED that corresponds to the desired cycle is activated. The LED will flash for 3 seconds and become steadily lit: The new preservation cycle is now selected and it will be run for the set execution times.

Should it become necessary to switch to a preservation cycle associated to a different program, you must enable the corresponding program priorly, by pressing the button (11). Once you have enabled the program, switch to the preservation cycle by pressing buttons (2) and (1) simultaneously for 3 seconds. The machine will enable the preservation cycles associated to the preset program.

SWITCHING FROM PRESERVATION PHASE TO A PRODUCTION PROGRAM

With the preservation active, you can activate an automatic program simply by selecting it by pressing button (11). The LED corresponding to the selected program will flash for 3 seconds and become steadily lit; the machine will exit the preservation cycle and run the selected program.

Subsequently, the preservation cycles associated to the selected program will be enabled.

PADDLE LOCK UPON LID OPENING

The opening of the lid (3) only stops the paddle (5) and does not affect the preservation cycle.

The closure of the lid (3) enables the paddle operation (5) (on the condition that it is provided by the selected preservation cycle in that moment). If the mixture proves excessively hard and prevents the movement of the paddle, the machine will automatically re-activate the preservation cycle from the start.

TURNING OFF THE MACHINE DURING PRESERVATION

To turn off the machine, hold down button (11) for 3 seconds and then act on the main switch (10). Do not act directly on the main switch (10)!

IMPORTANT

• Each preservation cycle continues until the user decides to stop it.

- **The machine is not designed for use either for storage or as a refrigerator!** Store the preparation in the pot for no longer than 12 hours.
- The cooling fan of the cooling system will always remain in operation for the entire duration of the preservation period.
- After use, ALWAYS turn the machine off using the main switch (10).

TIPS

- Using ingredients at refrigerator temperature will reduce the processing time. Furthermore, it is possible to reduce the temperature of the ingredients if hot with the appropriate fast cooling program.
- Be careful not to insert ingredients that are too cold or nearly froze, as whipping may have a poor quality.
- For a correct volume increase during mixing, **use maximum 1.25kg of ingredients** for the preparation of ice cream and sorbet.
- For the preparation of Granita, the maximum amount of ingredients is 1Kg with the paddle supplied with the machine. It can process up to 1.5kg of Granita using the special Granita paddle that can be purchased separately.

CLEANING THE POT

GELATO 5+5K TWIN CREA is designed to facilitate pot cleaning. Proceed as follows:

- Turn off the cooling system, remove the paddle and pour at least 2 litres of hot water and a low-foaming detergent into the pot.
- Wash the pot with a sponge. **Do not use sharp utensils inside the pot.**
- Place an empty container of at least 3 litres under the drain (8).
- Remove the plug (9). The water in the pot begins to flow into the container below.
- Repeat the operation using hot, clean water and rinse thoroughly.
- When the pot is empty, clean the discharge pipe using the cleaner (14) previously cleaned.
- Reposition the plug (9) until the pot discharge is fully closed.
- If necessary, repeat the cycle until the pot is completely cleaned.
- Dry with a disposable paper towel.

MAINTENANCE AND CLEANING OF THE MACHINE

- Before cleaning the machine, make sure that it is turned off (main switch (10) to OFF) and unplugged from the power plug.
 - Remove paddle inserts.
 - Remove the steel pin and remove the transparent lid (3) from the machine.
 - The paddle (5), paddle inserts, transparent lid (3) and locking ring (4) can be washed in the dishwasher or in hot water with suitable detergent.
 - If the paddle inserts are damaged or worn out, they must be replaced to prevent mixing ingredients less effectively.
 - Wash the basket with a sponge. **Do not use sharp utensils inside the basket.**
 - Clean the body of the machine and the non-removable parts with the specific product given in SANITIZING chapter.
- IMPORTANT:** do not wash the machine with jets of water! It contains electrical parts.
- Clean the ventilation grids (6) on the rear part and the bottom of the machine at least once a year.
 - Regularly (at least once every 3 months) check the oil seal (13) on top of the transmission shaft: if necessary replace or lubricate with H1 category grease or higher. A specially designed grease can be purchased at any Authorized Service Centre. An oil seal replacement (13) is supplied with the machine.

SANITIZATION

Sanitizing operations, if properly carried out, allow for the removal of a significant proportion of micro-organisms whose cells and spores find, thanks to processing residues, favourable conditions for survival and proliferation. Must be carried out at the end of daily production cycle or more often, if necessary. Sanitizing involves two phases:

- **CLEANSING** Remove dirt (coarse residues) and rinse with lukewarm water immediately after work; cleaning action is provided by manual friction and water pressure. The use of a chemical detergent reduces, but does not cancel, the manual cleaning requested above.

CAUTION: cleansing only, even if accurate, does not ensure complete removal of micro-biotic contaminants. Proceed as follows:

- Remove the coarse dirt mechanically.
- Rinse with hot water first, at 45°C, to dissolve grease and facilitate its removal, but below 60°C to avoid "cooking" proteins, sugar or fat and make them stick even firmly to the surfaces subjected to cleaning. The tools and removable parts of the equipment can be cleaned simply, in about 15 minutes.
- Apply detergent: due to the fact that most of food residues (proteins and fat) cannot be dissolved in water, their complete removal requires the use of a detergent that detaches dirt from the surface and enables its further removal by rinsing
- Final rinsing with water at tap temperature for at least 5 minutes if immersed.

- **DISINFECTION.** Disinfection or decontamination involves the verified destruction of non spore forming pathogenic bacteria and significant reduction of non pathogenic and non spore forming bacteria. Cleansing and disinfecting operations must be performed separately.

After cleansing, proceed with disinfection. Proceed as follows:

- Use a specific disinfecting agent suitable for food industry sector. Check that on the package are properly marked the following features:
 - Disinfecting agent, Medical Device or similar.
 - Registration number at Healthcare Agency.
 - The message "for food industry use".
 - Dosage and use times.
 - Ingredients, manufacturer, batch and production date.
 - Warnings on safe use.
- Dilute the disinfecting product following the instructions given by the manufacturer. Attention: using less disinfecting product than recommended may promote bacteria proliferation at dangerous levels, as well as using excess active principle does not improve efficiency.
- Leave the disinfecting agent to act for the contact time required. If left less time than required, disinfection may be ineffective.
- In order to carry out the various operations correctly, you must proceed from up downwards, finishing with the floor.
- After applying disinfecting agent, remove residues with a final rinse.

- Pay utmost care to clean the discharge opening.
- Dry thoroughly the surfaces to avoid bacteria proliferation due to moisture;
- We recommend you alternate every 6 months the type of disinfecting agent to avoid developing resistant forms of bacteria. Bacteria spores are the most resistant biological forms and, therefore, it is recommended you use chloride-based products.

TROUBLESHOOTING

• **Machine does not cool:**

- Check that the power plug is properly inserted and the appliance has electrical energy.
- The safety device of the compressor comes into action: wait 5-10 minutes before restarting the machine. Rapid and continued start-up attempts do nothing but prolong the period of inactivity of the machine.
- Check that the machine is correctly positioned with the ventilation grids (6) free of any obstructions.
- Check that the machine is not running a preservation cycle (LED (11a,b,c,d) flashing) that stops the compressor.
- Check that when the machine (switch (10)) turns on, the control panel shows the correct initialization procedure by turning on all LEDs in sequence.

• **The paddle does not turn:**

- Check that the paddle (5) is properly attached to the tube and locked with a

special locking ring (4).

- Make sure it is free from obstacles that prevent it from rotating.
- Make sure the lid is closed in the correct position: a safety device stops the paddle when the lid is opened.
- Check that the LED paddle (2a) is not flashing. In this case, press the button (2) twice to restart the paddle. Make sure that the mixture is not too thick to prevent the rotation of the paddle.
- Make sure that the machine is not running a preservation cycle (LEDs (11a-b-c-d) flashing) that stops the paddle.
- **The machine is noisy:**
 - Some noise is part of the normal operating specifications, but if it becomes excessive contact the Service Centre to avoid further and more serious problems.

• **The water discharge pipe leaks:**

- Replace the gaskets of the water discharge tap (9). Two additional gaskets sets (16) are provided with the machine.

• **The plastic sleeve (17) on the lower part of the paddle is too easy to separate.**

- Replace the gasket with the new one. Four additional gasket (15) are provided with the machine.

ACTION	KEY COMBINATION
BLADE ACTIVATION	2
COMPRESSOR ACTIVATION	1
PROGRAMACTIVATION	11
CONSERVATIONACTIVATION	1+2 (3 seconds)
TURN OFFFROM PROGRAM	11 (3 seconds) then 1 and 2
TURN OFFFROM CONSERVATION	11 (3 seconds)
PROGRAM CHANGE	11
CONSERVATIONCHANGE	12
PROGRAM ACTIVATION FROM CONSERVATION*	11**
PROGRAM ACTIVATION FROM CONSERVATION***	11

* If conservation is activated after a program.

** To activate the program whose LED is flashing, first select a different program.

*** If conservation is activated without running programs.

INSTRUCTIONS GENERALES DE SECURITE

Pendant l'utilisation des appareils électriques, il est indispensable de respecter scrupuleusement quelques règles de sécurité fondamentales, en particulier:

- Lire attentivement le mode d'emploi avant d'installer et utiliser l'appareil.
- Ne pas plonger le corps principal de l'appareil dans l'eau ou autres liquides: danger de chocs électriques.
- Cet appareil n'est pas prévu pour être utilisé par des personnes (y compris les enfants) dont les capacités physiques, sensorielles ou mentales sont réduites, ou des personnes dénuées d'expérience ou de connaissance, sauf si elles ont pu bénéficier, par l'intermédiaire d'une personne responsable de leur sécurité, d'une surveillance ou d'instructions préalables concernant l'utilisation de l'appareil. Il convient de surveiller les enfants pour s'assurer qu'ils ne jouent pas avec l'appareil.
- Débrancher l'appareil de la prise de courant quand il n'est pas utilisé et avant de le démonter ou de le nettoyer.
- Ne pas toucher les parties en mouvement.
- Ne pas utiliser l'appareil si le cordon d'alimentation ou la fiche sont abîmés, ou après un fonctionnement anormal de l'appareil, ou si l'appareil est tombé par terre ou s'il a été endommagé de quelque façon que ce soit. Dans ces cas, il est recommandé de s'adresser au Service Après-vente agréée pour les réparations.
- Emploi d'accessoires qui n'ont pas été recommandés ou vendus par le constructeur de cet appareil pourrait entraîner des risques d'incendie ou des chocs électriques ou des lésions à l'utilisateur.
- Ne pas utiliser l'appareil à l'extérieur.
- Eviter que le cordon d'alimentation puisse pendre le long du bord de la table ou du plan de travail ou touches des surfaces chaudes.

CONSERVER CES INSTRUCTIONS

ATTENTION

- Toute réparation ne devra être exécutée que par des centres d'assistance technique ou de personnel agréés.
- Après avoir sorti l'appareil de l'emballage, s'assurer qu'il soit intact. En cas de doute, ne pas utiliser l'appareil et s'adresser à un centre d'assistance technique agréée.
- Les sachets en plastique, le polystyrène, les clous etc., étant des sources potentielles de danger, ne doivent pas être laissés à la portée des enfants.
- Cet appareil est destiné exclusivement à l'emploi pour lequel il a été conçu. Le constructeur et le vendeur de l'appareil déclinent toute responsabilité en cas de non-respect des indications contenues dans ce manuel d'utilisation.
- S'assurer que la tension de réseau correspond à celle qui est indiquée sur l'appareil avant d'insérer la fiche dans la prise de courant.
- Ne pas utiliser d'objets ou d'outils coupants à l'intérieur du bol. Ceux-ci risquent en effet de griffer ou abîmer la cuve. Une spatule en caoutchouc ou une cuillère plastique peuvent être utilisées lorsque l'appareil est éteint en position "0" ou "OFF".
- Ne jamais nettoyer l'appareil avec des utensiles abrasives.
- Ne pas utiliser l'appareil sur surfaces chaudes ou près de flammes.
- N'arrêter jamais la machine en retirant la fiche de la prise de courant.
- L'appareil doit obligatoirement être relié au secteur et avoir une prise de courant avec une portée minimum de 10A, avec contact de mise à la terre efficace. Le constructeur n'est pas responsable des dommages éventuels causés par l'absence de la mise à terre dans l'installation.
- Avant d'effectuer n'importe quelle opération d'entretien ou de nettoyage, vérifier que l'appareil ait été débranché du secteur en retirant la fiche de la prise de courant.
- Ne jamais laver l'appareil avec des jets d'eau, ne jamais l'immerger dans l'eau!
- Cet appareil appartient à la classe climatique "T" pour l'utilisation avec une température ambiante de 43°C.

IMPORTANT:

Laisser la machine reposer sur un plan horizontal pendant au moins 12 h avant de l'utiliser pour la première fois. Les agents réfrigérants pourraient en effet être dispersés, au cas où la machine aurait été renversée pendant le transport et ils doivent avoir le temps de revenir dans la bonne position. Suivre la même procédure par la suite aussi, toutes les fois que la machine aura été mise en position non horizontale pour quelque motif que ce soit. Placer la machine de façon à ce qu'il y ait suffisamment d'espace autour (au moins 20 cm), pour ne pas obstruer les prises d'air latérales.

Français

- 1). Bouton-poussoir de refroidissement.
 - 1a). Led de fonctionnement installation réfrigérante.
- 2). Bouton-poussoir pelle mélangeuse.
 - 2a). Led fonctionnement pelle.
- 3). Couvercle transparent.
 - 3a). Trou d'ajout ingrédients avec bouchon.
- 4). Bague de fixation pelle.
- 5). Pelle mélangeuse.
- 6). Grille de ventilation.
- 7). Spatule.
- 8). Raccord écoulement eau.
- 9). Bouchon écoulement eau.
- 10). Interrupteur lumineux général.
- 11). Bouton-poussoir sélection programmes.
 - 11a). Led programme Gelato Italien.
 - 11b). Led programme Gelato Semi-soft.
 - 11c). Led programme Granite.
 - 11d). Led programme Refroidissement rapide.
- 12). Bouton-poussoir sélection temps conservation.
 - 12a). Led cycle conservation N°1.
 - 12b). Led cycle conservation N°2.
 - 12c). Led cycle conservation N°3.
 - 12d). Led cycle conservation N°4.
- 13). Joint.
- 14). Goupillon.
- 15). Set joints pour douille pale mélangeuse.
- 16). Set joints bouchon de vidange.
- 17). Douille pale mélangeuse.

Félicitations!

Vous avez acheté une turbine à glace NEMOX de dernière génération.

Outre produire tout le gelato, sorbet, granite que vous voudrez, vous pourrez conserver les préparations dans le bac, afin de les garder toujours à la température et densité idéales pour le service.

GELATO 5+5K TWIN CREA est composée de deux groupes identiques qui sont totalement indépendants et autonomes: deux turbines à glace dans un seul appareil!

Un ordinateur de bord vous aidera à réaliser au mieux vos préparations, en exaltant votre professionnalisme et en vous faisant économiser de l'énergie et du temps précieux.

Votre turbine à glace dispose de deux typologies de fonctionnement :

- **En modalité manuelle**, le fonctionnement du compresseur et de la pelle sont indépendants pour exploiter au mieux votre expérience. Le système de conservation peut être démarré uniquement et si vous le jugerez opportun. Un dispositif électrique intervient pour arrêter la pelle au cas où la consistance de la préparation soit excessive, afin d'éviter de compromettre les fonctionnalités mécaniques de la machine. L'installation réfrigérante continue de fonctionner jusqu'à son arrêt manuel.
- **En modalité automatique**, il permet de choisir à priori un des 4 programmes de fonctionnement (gelato italien classique, gelato semi-soft, granite, refroidissement rapide) et 4 programmes de conservation

pour chaque typologie de production.

Avec cette modalité de fonctionnement vous ne devrez plus vous préoccuper de rien, une fois que vous avez fait vos choix et que vous avez démarré la turbine à glace, ce dernier produit le gelato et passe automatiquement en modalité de conservation désirée.

Il ne vous reste qu'à servir le gelato à vos clients, toujours avec une consistance parfaite.

PREMIERE UTILISATION

- Positionner **GELATO 5+5K TWIN CREA** sur une surface plate, vérifier que les grilles de ventilation (6) ne soient pas colmatées. Laisser un espace minimum de 10 cm autour des grilles de ventilation.
- Pendant l'utilisation l'appareil doit être conservé loin de murs ou meubles afin de ne pas créer d'obstacle à la circulation de l'air de refroidissement. La sortie d'air tiède ou chaud fait partie intégrante du fonctionnement de l'appareil qui échange la chaleur avec l'extérieur pour la réfrigération.
- Laisser la machine en position horizontale pendant 8 heures ou plus avant sa première utilisation car, si inclinée pendant le transport, les agents réfrigérants devront se rétablir en position correcte.
- Avant de commencer à utiliser la machine, nettoyer soigneusement les parties qui entrent en contact direct ou indirect avec les aliments traités (bac, pelle de mélange, inserts pelle, bague de fixation, couvercle, etc.).

- L'hygiène est extrêmement importante quand on traite des aliments. Suivre scrupuleusement les prescriptions de la réglementation hygiénique applicable dans votre Pays (HACCP ou correspondant).

PRÉPARATION DU MÉLANGE

Choisir la recette et préparer le mélange, en faisant attention à ce qui suit :

- Manipuler les ingrédients selon ce qui est prescrit par les normes hygiéniques applicables dans votre Pays (HACCP ou correspondant).
- Pour la préparation de gelati et sorbets **ne pas introduire plus de 1.25kg de mélange**, afin de permettre une augmentation correcte de volume pendant le mélange.
- Pour la préparation de granite la quantité maximum conseillée est de 1kg de mélange avec la pelle fournie. On peut travailler jusqu'à 1.5kg de granite en utilisant la pelle spéciale pour granite achetable séparément.
- Il est conseillé de verser le mélange à une température comprise entre +10°C et +20°C. Avec des températures plus élevées les temps de production pourraient augmenter même considérablement.

MODE D'EMPLOI

- **GELATO 5+5K TWIN CREA** est composée de deux groupes identiques qui sont totalement indépendants et autonomes : ici est illustré le fonctionnement du groupe unique.
- Vérifier que le voltage indiqué sur la plaque des données correspond à celui de réseau. Insérer la fiche d'alimentation dans la prise de courant et actionner l'interrupteur général (10); la lumière indiquera la présence de tension. La carte électronique effectuera un contrôle d'initialisation, en accédant à une séquence tous les leds du panneau commandes.
- Insérer la pelle mélangeuse (5) dans le bac, en la tournant dans le sens des aiguilles d'une montre jusqu'à ce qu'elle soit positionnée dans son logement sur le fond du bac.
- Visser la bague de fixation (4) à fond de façon à ce que la pelle mélangeuse soit bien fixe.
- Verser le mélange préparé auparavant.
- Fermer le couvercle (3).

UTILISATION EN MODALITE MANUELLE

- Démarrer l'installation réfrigérante en appuyant le bouton-poussoir (1); la led (1a) s'allumera.

IMPORTANT: En cas d'extinction de la machine, due à des suspensions temporaires et improvisées de la distribution de l'énergie électrique ou à une manœuvre erronée sur les touches d'allumage de la partie réfrigérante, attendre quelques minutes avant de redémarrer.

- Appuyer sur le bouton-poussoir (2) pour faire démarrer la pelle; la led (2a) s'allume, le cycle de production commence. Le temps de préparation varie en fonction de la quantité, de la température initiale de la mélange, du type de produit (parfait, sorbet ou granite) et de la température ambiante.

IMPORTANT: Le mouvement de la pelle est complètement indépendant de l'installation réfrigérante. Un dispositif de sécurité arrête le mouvement de la pelle quand le couvercle est soulevé.

Dans le cas où le couvercle reste longtemps soulevé, l'installation réfrigérante continuera à fonctionner. Par conséquent, quand le couvercle est rabaisé, la pelle pourrait ne pas repartir ou s'arrêter à cause de l'excessive consistance du mélange. Dans ce cas le contrôle électrique arrêtera définitivement la pelle et la led (2a) deviendra clignotante pour signaler l'anomalie.

Si la préparation n'était pas encore terminée, éteindre le compresseur en agissant sur le bouton-poussoir (1) et la pelle au moyen du bouton-poussoir (2), attendre que mélange devienne plus moelleux et redémarrer la production.

- En fonction de la recette et de la quantité d'ingrédients utilisés, les temps de production moyens sont de 15/20 minutes.
- Au moyen de l'ouverture (3a) sur le couvercle il est possible d'ajouter d'autres ingrédients (ex. pour agrémenter le gelato pendant la dernière phase de la préparation).
- Quand la préparation a atteint la consistance voulue, éteindre le circuit réfrigérant en appuyant sur le bouton-poussoir (1) et arrêter la pelle en appuyant sur le bouton-poussoir (2). Pour enlever sans difficulté la préparation

Du bac, extraire la pelle mélangeuse (5) en dévissant la bague de fixation (4) spécialement prévue.

DEMARRAGE MANUEL DU CYCLE DE CONSERVATION

- Au cas où vous le jugiez opportun, il est possible d'activer manuellement à tout moment le cycle de conservation. Maintenir appuyé simultanément les boutons-poussoirs pelle (2) et compresseur (1) pendant 3 secondes. La machine passera immédiatement au cycle de conservation relatif au programme de production du gelato classique italien. La led (12a) s'allumera.
- Au cas où l'on veuille exécuter une conservation relative à un programme de production différent, avant de passer de fonctionnement manuel à conservation il est nécessaire de sélectionner le programme de production désiré (voir paragraphe "VARIATION DU CYCLE DE CONSERVATION").

UTILISATION EN MODALITE AUTOMATIQUE

La machine **GELATO 5+5K TWIN CREA** dispose d'une série de programmes qui automatisent le processus de production et de conservation.

- Suivre ce qui est décrit dans le paragraphe «MODE D'UTILISATION».
- En appuyant sur le bouton-poussoir (11) la machine démarre en modalité automatique en sélectionnant le premier programme de fonctionnement. La led clignote pendant 3 secondes pendant lesquelles, en appuyant encore le bouton-poussoir (11), il est possible de sélectionner les autres programmes en séquence.
- Quand la lumière led devienne stable, le programme relatif démarre et le cycle de production commence.
- La machine dispose de 4 programmes de production et de 4 cycles de conservation pour tout programme de production. Au démarrage du programme sélectionné, il est possible de choisir le cycle de conservation désiré. Le choix du cycle de conservation s'effectue en appuyant à plusieurs reprises sur la touche (12). En passant du premier au quatrième programme de conservation la consistance du gelato en conservation

augmente progressivement.

- Quand le gelato atteint la consistance correcte, le programme de production termine automatiquement et le cycle de conservation présélectionné démarre.
- Tout programme de production a un temps limite préétabli, après quoi, la machine entre dans tous les cas automatiquement en conservation.
- Au cas où on le juge opportun, il est possible de terminer le programme de production et activer à tout moment le cycle de conservation. Sélectionner le cycle de conservation voulu en agissant sur la touche 12 (sélection en séquence). Maintenir appuyé simultanément les boutons-poussoirs pelle (2) et compresseur (1) pendant 3 secondes. La machine passera immédiatement du cycle de production à celui de conservation.

• PROGRAMME GELATO ITALIEN CLASSIQUE ET SORBET.

En appuyant une fois le bouton-poussoir (11) la led (11a) s'allume et le programme de production commence. Au terme du cycle de production la led (11a) clignote en signalant l'activation du cycle de conservation sélectionné.

Si la préparation était prête avant d'atteindre le temps limite de fonctionnement, la pelle de la turbine se bloquerait. La fonction de conservation s'active alors automatiquement.

- **PROGRAMME GELATO SEMI-SOFT.** En appuyant deux fois sur le bouton-poussoir (11) la led (11b) s'allume et le programme de production commence. Au terme du cycle de production la led (11b) clignote en signalant l'activation du cycle de conservation sélectionné.

Si la préparation était prête avant d'atteindre le temps limite de fonctionnement, la pelle de la turbine se bloquerait. La fonction de conservation s'active alors automatiquement.

- **PROGRAMME GRANITE.** En appuyant trois fois sur le bouton-poussoir (11) la led (11c) s'allume et le programme pour la production de la granite commence. A la fin du cycle de production la led (11c) clignote en signalant l'activation du cycle de conservation sélectionné.

Si la préparation était prête avant d'atteindre le temps limite de fonctionnement, la pelle de la turbine à glace se bloquerait. La fonction de conservation s'active alors automatiquement.

• **PROGRAMME REFROIDISSEMENT RAPIDE.** En appuyant quatre fois sur le bouton-poussoir (11) la led (11d) s'allume et le programme de refroidissement rapide commence. A la fin du cycle de production la led (11d) clignote en signalant l'activation du cycle de conservation sélectionné.

Ce programme est utilisé quand on part de mélanges à des températures élevées. Le programme fait en sorte d'abaisser rapidement la température sans que le mélange n'absorbe trop air, en économisant du temps et en améliorant la qualité du gelato produit.

VARIATION DU PROGRAMME SELECTIONNE

Au cas où avec un programme déjà commencé il soit nécessaire d'en sélectionner un différent, ce sera possible en appuyant simplement sur la touche (11). Quand le nouveau programme est sélectionné le programme en exécution sera arrêté. Le nouveau programme sera immédiatement en service avec ses temps d'exécution qui repartiront des valeurs initiales.

PASSAGE DE FONCTIONNEMENT AUTOMATIQUE A FONCTIONNEMENT MANUEL

Pendant le programme de production, il est possible à tout moment de passer en modalité manuelle.

En maintenant appuyé la touche (11) pendant 3 secondes la machine passera en modalité manuelle en allumant simultanément les led pelle (2a) et compresseur (1a). Le cycle de conservation sélectionné sera désactivé.

EXTINCTION DE LA MACHINE PENDANT LE FONCTIONNEMENT EN MODALITE AUTOMATIQUE

Au cas où il soit nécessaire d'éteindre la machine avant la fin du programme de production en service, il est nécessaire avant de passer en modalité manuelle en maintenant

appuyé pendant 3 secondes la touche (11) et ensuite appuyer sur les boutons pelle (2) et compresseur (1) pour arrêter toute activité. Eviter d'agir directement sur l'interrupteur général (10)!

VARIATION DU CYCLE DE CONSERVATION PENDANT LE FONCTIONNEMENT D'UN PROGRAMME

Pendant la phase de production automatique il est possible de varier à tout moment le cycle de conservation choisi. Appuyer à plusieurs reprises sur le bouton-poussoir (12) jusqu'à l'activation de la led correspondant au cycle voulu. La led clignotera pendant 3 secondes et successivement deviendra fixe : le nouveau cycle de conservation est à ce stade sélectionné et sera exécuté à la fin du programme de production. Chaque programme de production activera, une fois arrivé à terme, le cycle de conservation sélectionné.

BLOCAGE PELLE A L'OUVERTURE DU COUVERCLE

L'ouverture du couvercle (3) arrête uniquement la pelle (5) et n'influence pas le programme de production.

La fermeture du couvercle (3) démarre le mouvement de la pelle (5) (au cas où, à ce moment, il soit prévu par le programme sélectionné). Si le mélange s'avérait excessivement consistant au point d'empêcher le mouvement de la pelle, la machine activera automatiquement le cycle de conservation sélectionné auparavant.

CONSERVATION AUTOMATIQUE

4 cycles de conservation sont prévus pour chaque programme de la turbine à glace (16 cycles au total) étudiés pour répondre aux exigences les plus diverses .

- En modalité automatique, au cas où la machine ne soit pas arrêtée, à la fin de chaque programme de production commence le cycle sélectionné de conservation du gelato.
- L'activation de la fonction de conservation est signalée par le clignotement de la led relative au programme de production sélectionné.

- La sélection du cycle de conservation voulu peut être effectuée indifféremment au début ou pendant la phase de production.
- Selon le type de recette et/ou de la quantité en préparation, chaque série de cycles de conservation, en combinaison avec la vitesse de la pelle, permet de maintenir gelato, granite ou d'autres préparations amalgamées, aux conditions voulues.
- En appuyant sur le bouton-poussoir (12) à plusieurs reprises s'allument en séquence les leds de sélection des divers cycles de conservation. En passant du premier (LED (12a) actif) au quatrième (LED (12d) actif) programme de conservation la densité du gelato augmente progressivement.
- Une fois sélectionné le cycle voulu, la led correspondante clignotera pendant 3 secondes et deviendra stable en rendant opérative la sélection.

VARIATION DE CYCLE DE CONSERVATION

Il est toujours possible de sélectionner un cycle de conservation différent (relatif au même programme de production), soit pendant la phase active que pendant la phase de pause du cycle en exécution. Appuyer à plusieurs reprises sur le bouton-poussoir (12) jusqu'à l'activation de la led correspondant au cycle voulu. La led clignotera pendant 3 secondes et deviendra stable : le nouveau cycle de conservation est à ce point sélectionné et sera exécuté selon ses propres temps d'exécution. Au cas où il soit nécessaire de passer à une série de cycles de conservation propre d'un programme différent de celui sélectionné, il faut auparavant activer le programme correspondant en appuyant sur la touche (11). Une fois activé le programme, passer à la fonction de conservation en appuyant simultanément sur les boutons (2) et (1) pendant 3 secondes. La machine activera la série de cycles de conservation relatifs au programme pré-choisi.

PASSAGE DE LA PHASE DE CONSERVATION A UN PROGRAMME DE PRODUCTION

Avec la conservation active, il est possible d'activer un programme de production

automatique, simplement en le sélectionnant en appuyant sur la touche (11). La led relative au programme sélectionné clignotera pendant 3 secondes et deviendra stable; la machine sortira du cycle de conservation et commencera à exécuter le programme de production sélectionné.

Par conséquent la série de cycles de conservation relative au programme sélectionné sera activée.

BLOCAGE DE LA PELLE A L'OUVERTURE DU COUVERCLE

L'ouverture du couvercle (3) arrête uniquement la pelle (5) et n'a pas de répercussions sur les temps du cycle de conservation.

La fermeture du couvercle (3) fait démarrer le mouvement de la pelle (5) (au cas où, à ce moment, il soit prévu par cycle de conservation sélectionné). Si le mélange était excessivement dur tel à empêcher le mouvement de la pelle, la machine rétablira automatiquement le cycle de conservation du début.

EXTINCTION DE LA MACHINE PENDANT LA CONSERVATION

Pour éteindre la machine maintenir appuyé le bouton-poussoir (11) pendant 3 secondes et Successivement agir sur l'interrupteur général (10). Éviter d'agir directement sur l'interrupteur général (10)!

IMPORTANT

- Chaque cycle de conservation continue jusqu'à ce que l'opérateur ne décide de l'arrêter.
- **La machine n'est pas conçue pour une utilisation comme conservateur ou cellule frigorifique !** Il est conseillé de conserver la préparation dans le bac pendant 12 heures au maximum.
- La ventilateur de refroidissement de l'installation de réfrigération restera toujours en service pendant toute la durée de la période de conservation.
- A la fin de l'utilisation, éteindre la machine toujours au moyen de l'interrupteur général (10).

CONSEILS UTILES

- A l'aide d'ingrédients à température de réfrigérateur on réduit les temps de production. En outre il est possible de réduire la température des ingrédients, s'ils sont chauds, en utilisant le programme spécial de refroidissement rapide.
- Attention à ne pas introduire d'ingrédients trop froids ou presque congelés, l'amalgame pourrait s'avérer de mauvaise qualité.
- Pour une augmentation correcte du volume pendant le mélange, **utiliser au maximum 1.25kg d'ingrédients** pour des préparations de gelato et sorbet.
- Pour la préparation de granite la quantité maximum d'ingrédients est de 1kg avec la pelle fournie avec la machine. On peut travailler jusqu'à 1.5kg de granite en utilisant la pelle à granite spéciale, qui peut être achetée séparément.

NETTOYAGE DU BAC

GELATO 5+5K TWIN CREA est projetée de façon à faciliter le nettoyage du bac. Procéder comme suit :

- Eteindre l'installation réfrigérante, enlever la pelle et verser au moins 2 litres d'eau chaude et du détergent non moussant dans le bac.
- Laver le bac à l'aide d'une éponge. **Ne pas utiliser d'outils coupants à l'intérieur du bac.**
- Placer un récipient vide d'au moins 3 litres sous la sortie (8).
- Extraire le bouchon (9). L'eau dans la casserole commencera à fluer dans le récipient placé en-dessous.
- Répéter l'opération avec de l'eau chaude et propre pour un rinçage soigné.
- Quand le bac est vide nettoyer le conduit de vidage au moyen du goupillon (14) nettoyé auparavant.
- Re-positionner le bouchon (9) jusqu'à la fermeture de l'évacuation de la casserole.
- Si nécessaire répéter le cycle jusqu'au nettoyage complet du bac.
- Sécher avec du papier absorbant.

CONSERVATION ET NETTOYAGE DE LA MACHINE

- Avant de commencer le nettoyage de la machine vérifier qu'elle soit éteinte (interrupteur général (10) sur OFF) et la fiche

débranchée de la prise de courant.

- Enlever les inserts de la pelle.
 - Enlever le pivot en acier et enlever le couvercle transparent (3) de la machine.
 - La pelle (5), inserts, couvercle transparent (3) et bague de fixation (4) peuvent être lavés en machine à laver la vaisselle ou à l'eau chaude avec détergent adapté .
 - Si les inserts de la pelle sont abimés ou usés, ils doivent être remplacés pour éviter que le mélange des ingrédients devienne moins efficace.
 - Laver la cuve à l'aide d'une éponge. **Ne pas utiliser d'ustensiles coupants à l'intérieur de la cuve.**
 - Nettoyer le corps de la machine et les parties non éliminables avec le produit spécifié dans le chapitre DÉSINFECTION.
- IMPORTANT: ne pas laver la machine avec des jets d'eau! Elle contient des parties électriques.**
- Sécher soigneusement avec du papier absorbant pour éviter que ne se forme tout type de dépôt.
 - Au moins une fois par an, nettoyer les grilles d'aération (6) sur la partie arrière et sur le fond de la machine.
 - Périodiquement (au moins une fois tous les 3 mois) contrôler le joint (13) sur l'arbre de transmission: remplacer si nécessaire, ou lubrifier avec de la graisse de catégorie H1 ou supérieure. Une graisse spécialement étudiée peut être demandée auprès de tout Centre d'Assistance autorisé. Une bague d'étanchéité (13) de remplacement est livrée avec la machine.

ASSAINISSEMENT

Les opérations d'assainissement permettent d'éliminer une remarquable partie de micro-organismes dont les cellules et spores trouvent des conditions favorables à la survie et à leur prolifération, également grâce aux résidus de préparation. Elles doivent être effectuées en fin de cycle de production journalière ou plus souvent si nécessaire. La assainissement comprend deux phases :

- **LAVAGE.** Eliminer la saleté (résidus grossiers) et prévoir un rinçage à l'eau tiède immédiatement après la fin de la préparation;

L'action détergente est confiée à la friction manuel et à la pression de l'eau. L'utilisation d'un détergent chimique réduit, mais n'annule pas le nettoyage manuel demandé ci-avant. ATTENTION : la seule détersion, même scrupuleuse, ne garantit pas l'élimination complète des contaminants microbiens. Agir comme suit:

- Eliminer mécaniquement la grosse saleté.
- Rincer en premier à l'eau chaude à température supérieure à 45°C pour faire fondre les graisses et en favoriser leur détachement, mais inférieure à 60°C pour éviter de «cuire» protéines, sucres ou grasses, en les rendant plus tenacement attachés aux surfaces à nettoyer. Pour les outils et les parties démontables des équipements une immersion de la durée de 15 minutes est suffisante.
- Appliquer le détergent: étant donné que la plupart des résidus alimentaires (protéines et graisses) ne se dissolvent pas dans l'eau, pour les éliminer complètement il faut utiliser un détergent qui détache la saleté de la surface et en permette l'élimination avec le rinçage successif
- Rinçage final à l'eau à température de robinet, pendant au moins 5 minutes si en immersion.
- **DESINFECTION.** La désinfection (ou décontamination) comporte la destruction certaine des bactéries pathogènes ne produisant pas de spores et la réduction draconienne de la présence des bactéries non pathogènes et ne produisant pas de spores. Les opérations de détersion et de désinfection doivent être effectuées séparément après avoir effectué le lavage procéder à la désinfection. Procéder comme suit:
 - Utiliser un désinfectant spécifique pour l'utilisation dans l'industrie alimentaire. Contrôler que sur l'emballage soient bien indiquées les caractéristiques suivantes: □
 - Désinfectant, service médical chirurgical ou équivalent.
 - N° d'enregistrement auprès de l'autorité

sanitaire.

- Inscription «à utiliser dans l'industrie alimentaire»
- Doses et temps d'utilisation.
- Composition, producteur, lot et date de production.
- Instructions sur la sécurité pour l'utilisation.
- Diluer le produit désinfectant selon les instructions du producteur. Attention: économiser sur le désinfectant peut permettre la survie de niveaux bactériens dangereux, tout comme excéder avec le principe actif n'en améliore pas l'efficacité.
- Laisser agir le désinfectant pendant le temps de contact spécifié. Un temps trop bref peut rendre inefficace la désinfection.
- Pour une exécution correcte des différentes opérations il faut effectuer le nettoyage du haut vers le bas, en terminant par le sol.
- Après l'application du désinfectant en éliminer les résidus avec un rinçage final.
- Prêter une attention particulière au nettoyage de la sortie.
- Bien sécher les surfaces pour éviter la multiplication bactérienne favorisée par l'environnement humide;
- Il est conseillé d'alterner tous les 6 mois le type de désinfectant pour éviter la sélection de bactéries tenaces. Les spores bactériennes sont les formes biologiques plus résistantes donc il est préférable d'utiliser les produits à base de chlore.

EVENTUELS PROBLEMES ET SOLUTIONS

• La machine ne produit pas de froid:

- Contrôler que la fiche d'alimentation soit correctement insérée et l'énergie électrique arrive à l'appareil.
- Le dispositif de sécurité du compresseur est entré en action : attendre 5-10 minutes avant de redémarrer la machine. Des tentatives soudaines et continues de démarrage ne font que prolonger le période d'inactivité de la machine.
- Contrôler que la machine soit positionnée correctement avec les grilles de ventilation (6) non obstruées.

Français

- Contrôler que la machine n'exécute pas un cycle de conservation (led (11a,b,c,d) clignotant) qui prévoit l'arrêt du compresseur.
 - Contrôler qu'à l'allumage de la machine (interrupteur (10)) le panneau de commandes indique la procédure correcte d'initialisation en allumant toutes les leds en séquence.
- **La pelle ne tourne pas:**
- Contrôler que la pelle (5) soit correctement accrochée à l'arbre de transmission et bloquée avec la bague de fixation spéciale (4).
 - Contrôler qu'il n'y a pas d'obstacles qui empêche sa rotation.
 - S'assurer que le couvercle soit fermé dans la position correcte: un dispositif de sécurité arrête la pelle si le couvercle est ouvert.
 - Contrôler que le led pelle (2a) ne clignote pas. Si elle clignote appuyer le bouton-Poussoir (2) deux fois pour faire repartir la pelle. S'assurer que le mélange ne soit pas trop consistant pour empêcher la rotation de la pelle.
 - S'assurer que la machine n'exécute pas un cycle de conservation (led (11a-b-c-d) clignotant) qui prévoit l'arrêt de la pelle.
- **La machine est bruyante :**
- Un certain bruit fait partie des spécifications normales de fonctionnement; toutefois, s'il

devenait excessif, contacter le Centre d'Assistance pour éviter des problèmes futurs plus graves.

• **Le bouchon de vidange a une fuite:**

- Remplacer les joints d'étanchéité. La machine est livrée avec 2 sets additionnels de joints (16).

• **La douille en plastique (17) ne reste pas accrochée à la pale mélangeuse:**

- Remplacer le joint de la douille. La machine est livrée avec 4 joints (15).

ACTION	COMBINAISON TOUCHES
ACTIVATION BRAS	2
ACTIVATION COMPRESSEUR	1
ACTIVATION PROGRAMMES	11
ACTIVATION CONSERVATION	1+2 (3 secondes)
EXTINCTION DEPUIS PROGRAMME	11 (3 secondes) puis 1 et 2
EXTINCTION DEPUIS CONSERVATION	11 (3 secondes)
CHANGEMENT PROGRAMME	11
CHANGEMENT CONSERVATION	12
ACTIVATION PROGRAMME DEPUIS CONSERVATION*	11**
ACTIVATION PROGRAMME DEPUIS CONSERVATION***	11

*Si conservation est activée après un programme.
**Pour activer le programme dont le voyant clignote, sélectionner avant un programme différent.
***Si conservation est activée sans effectuer de programme.

ADVERTENCIAS GENERALES DE SEGURIDAD

Durante la utilización de aparatos eléctricos es necesario hacer mucha atención a algunas normas de seguridad, en particular:

- Leer atentamente las instrucciones de uso antes de instalar y utilizar el aparato.
- No sumergir la máquina en el agua o en otros líquidos para evitar el peligro de descargas eléctricas.
- Este aparato no está pensado para ser utilizado por personas (incluyendo niños) con capacidades físicas, sensoriales o mentales disminuidas, o con falta de experiencia o conocimientos, a menos que hayan recibido instrucciones o supervisión en relación con el uso del aparato por parte de una persona responsable de su seguridad. Los niños deben ser vigilados para asegurarse de que no juegan con el aparato.
- Desconectar el aparato de la toma de corriente cuando no esté en funcionamiento, antes de desmontarlo y antes de limpiarlo.
- No tener contacto con cualquier parte en movimiento. Para evitar el riesgo de desgracias o de daños al aparato, no tocarlo con las manos, pelo, ropa, espátulas u otros utensilios mientras esté en funcionamiento.
- No utilizar el aparato si el cable de alimentación o el enchufe están dañados en cualquier modo. En estos casos es aconsejable llevar el aparato al centro de Asistencia Autorizado más cercano, para su reparación.
- El uso de accesorios, no originales o no recomendados por el fabricante, expresamente para este aparato, podría ser causa de incendio, descargas eléctricas o desgracias.
- No utilizar al aire libre.
- No dejar que el enchufe caiga sobre caldo derramado en la mesa o del banco de trabajo y evitar que entre en contacto con superficies calientes.

CONSERVAR ESTAS INSTRUCCIONES

¡ATENCIÓN!

- Cualquier operación que no sea la limpieza o manutención normal, debe ser efectuada por un Centro Especializado con personal autorizado.
- Después de haber sacado el aparato del embalaje, verificar que está entero y tiene todas las piezas. En caso de duda, no utilizar el aparato, y dirigirse a un centro de Servicio Autorizado.
- Bolsas, poliestirenos, clavos, etc, son potencialmente peligrosos para los niños.
- El fabricante y el vendedor no se hacen responsables de los daños causados por no seguir las instrucciones de este librito.
- Controlar que el voltaje del aparato corresponda a la tensión suministrada en nuestra zona.
- No utilizar objetos o utensilios cortantes en el interior del cestillo, podría resultar dañado. Con el aparato apagado es aconsejable utilizar una espátula de goma o una cuchara de madera.
- No limpiar el aparato con sustancias u objetos abrasivos.
- No poner el aparato sobre superficies calientes o cerca de flamas.
- No desconectar la clavija del enchufe tirando del cable.
- El aparato debe estar alimentado por una instalación eficiente equipado con una buena toma de tierra con toma de corriente de al menos 10A. El fabricante no se hace responsable por daños a cosas o personas en el caso de que las normas de seguridad no hayan sido respetadas.
- Antes de cualquier operación de limpieza o manutención, asegurarse de que el aparato esté desconectado de la red eléctrica.
- No lavar nunca el aparato bajo el chorro de agua o sumergiéndolo.
- Esta unidad es de clase climática "T", adecuado para utilizarse hasta una temperatura ambiente de 43° C.

IMPORTANTE: Dejar la máquina sobre una superficie plana en posición horizontal, al menos 12 horas antes de utilizarla la primera vez. En el caso de que la máquina haya estado volcada durante el transporte, los agentes refrigerantes deberán refluir a la correcta posición.

Dejar por lo menos 20 cm de espacio alrededor de la máquina para una libre circulación del aire. Asegurarse que las rejillas de ventilación, no estén obstruidas.

Español

- 1). Botón de enfriamiento.
 - 1a). Led funcionamiento sistema de refrigeración.
- 2). Botón pala mezcladora.
 - 2a). Led funcionamiento pala.
- 3). Tapa transparente.
 - 3a). Orificio adición ingredientes con tapón.
- 4). Anillo de fijación pala.
- 5). Pala mezcladora.
- 6). Rejilla de ventilación.
- 7). Espátula.
- 8). Racor descarga agua.
- 9). Tapón descarga agua.
- 10). Interruptor general luminoso.
- 11). Botón selección programas.
 - 11a). Led programa Gelato Italiano.
 - 11b). Led programa Gelato Semi-Soft.
 - 11c). Led programa Granizado.
 - 11d). Led programa enfriamiento rápido.
- 12). Botón selección tiempo conservación.
 - 12a). Led ciclo conservación N° 1.
 - 12b). Led ciclo conservación N° 2.
- 12c). Led ciclo conservación N° 3.
- 12d). Led ciclo conservación N° 4.
- 13). Retén.
- 14). Escobilla.
- 15). Kit de juntas para brújula pala.
- 16). Kit de juntas para tapón drenaje de agua.
- 17). Brújula pala.

iEnhorabuena!

Ha comprado un mantecador NEMOX de última generación.

Además de producir todo el gelato, sorbetes y granizado que desee, se pueden conservar también las preparaciones en la cubeta, para mantenerlas siempre a la temperatura y densidad ideales para el servicio.

Gelato 5+5K TWIN CREA se compone de dos grupos idénticos son totalmente independientes y autónomos, dos heladeras en un solo aparato!

Un ordenador de abordo le ayudará a realizar el trabajo de la mejor manera posible, destacando su profesionalidad y permitiendo que ahorre esfuerzos y un tiempo valioso.

Su mantecador dispone de dos tipos de funcionamiento:

- **En modo manual**, el funcionamiento del compresor y la pala son independientes, para aprovechar de la mejor manera su experiencia. El sistema de conservación puede ponerse en funcionamiento solo y si lo considera conveniente. Un dispositivo electrónico interviene para detener la pala en caso de que la consistencia de la preparación sea excesiva, para evitar que afecte al funcionamiento mecánico de la máquina. El sistema de refrigeración continúa funcionando hasta su parada manual.
- **En modo automático**, permite seleccionar a priori uno de los 4 programas de funcionamiento (gelato italiano clásico, gelato italiano semi soft, granizado,

enfriamiento rápido) y 4 programas de conservación para cada tipo de producción.

Con esta modalidad de funcionamiento no se tendrá que preocupar por nada, una vez hechas las selecciones y puesto en marcha el mantecador, él mismo produce el gelato y pasa automáticamente a la modalidad de conservación deseada.

Usted sólo tiene que encargarse de servir el gelato a sus clientes, siempre con la consistencia perfecta.

PRIMER USO

- Colocar **GELATO 5+5K TWIN CREA** sobre una superficie plana, comprobar que las rejillas de ventilación (6) no estén obstruidas. Dejar un espacio mínimo de 10 cm alrededor de las rejillas de ventilación.
- Durante el uso, el aparato debe mantenerse separado de paredes y muebles para evitar obstaculizar la entrada y la salida del aire de refrigeración. La salida de aire templado o caliente forma parte integrante del funcionamiento del aparato que intercambia calor con el exterior para la refrigeración.
- Dejar la máquina en posición horizontal durante 8 horas o más antes del primer uso ya que, si se inclina durante el transporte, los agentes de refrigeración deberán recolocarse en la posición correcta.
- Antes de empezar a utilizar la máquina, limpiar cuidadosamente las partes que están en contacto directo o indirecto con los alimentos tratados (cubeta, pala de mezcla, insertos pala, anillo de fijación, tapa, etc.).

- La higiene es extremadamente importante cuando se tratan alimentos. Respetar escrupulosamente las prescripciones de la normativa higiénica aplicable en su país (HACCP o correspondiente).

PREPARACIÓN DE LA MEZCLA

Elegir la receta y preparar la mezcla, prestando atención a lo siguiente:

- Manipular los ingredientes según lo prescrito por las normas higiénicas aplicables en su país (HACCP o correspondiente).
- Para la preparación de gelato y sorbetes, **no introducir más de 1,25kg de mezcla**, para permitir un aumento correcto de volumen durante la mezcla.
- Para la preparación de granizado la cantidad máxima recomendada es de 1kg de mezcla con la pala suministrada. Se pueden elaborar hasta 1,5kg de granizado utilizando la pala de granizado especial que se vende por separado.
- Se recomienda verter la mezcla a una temperatura comprendida entre +10°C y +20°C. A temperaturas más elevadas, los tiempos de producción podrían aumentar considerablemente.

MODO DE USO

- **Gelato 5+5K TWIN CREA** está constituida por dos grupos idénticos completamente autónomos e independientes: aquí se ilustra el funcionamiento del grupo único.
- Comprobar que el voltaje indicado en la placa de datos se corresponda con el de red. Introducir el enchufe en la toma de corriente y accionar el interruptor general (10); la luz indicará la presencia de tensión. La tarjeta electrónica efectuará un control de inicialización, encendiendo en secuencia todos los leds del panel de mandos.
- Introducir la pala mezcladora (5) en la cubeta, girándola hacia la derecha hasta que esté colocada en su alojamiento en el fondo de la cubeta.
- Apretar el anillo de fijación (4) a fondo de manera que la pala mezcladora esté bien fijada.
- Verter la mezcla preparada con anterioridad.
- Cerrar la tapa (3).

USO EN MODALIDAD MANUAL

- Poner en funcionamiento el sistema de refrigeración pulsando el botón (1); se encenderá el led (1a).

IMPORTANTE: en caso de apagado de la máquina, debido a temporales e imprevistos cortes en el suministro de electricidad o a una maniobra incorrecta con los botones de encendido de la parte de refrigeración, esperar unos minutos antes de volver a poner en marcha.

- Pulsar el botón (2) para poner en funcionamiento la pala; se enciende el led (2a), empieza el ciclo de producción. El tiempo de preparación varía en función de la cantidad, temperatura inicial de la mezcla, tipo de producto (gelato, sorbete o granizado) y la temperatura ambiente.

IMPORTANTE: El movimiento de la pala es totalmente independiente del sistema de refrigeración. Un dispositivo de seguridad detiene el movimiento de la pala cuando se levanta la tapa.

En caso de que la tapa permanezca levantada durante mucho tiempo, el sistema de refrigeración continuará funcionando. En consecuencia, al volver a bajar la tapa, la pala podría no volver a ponerse en funcionamiento o detenerse a causa de la excesiva consistencia de la mezcla. En este caso el control electrónico detendrá definitivamente la pala y el led (2a) se volverá intermitente para **señalar la anomalía**. Si la preparación no se hubiera completado todavía, apagar el compresor actuando en el botón (1) y la pala mediante el botón (2), esperar a que la mezcla se vuelva más blanda y reiniciar la producción.

- En función de la receta y de la cantidad de ingredientes utilizados, el tiempo de producción medio es de 15/20 minutos.
- Mediante la apertura (3a) en la tapa, se pueden añadir otros ingredientes (por ej., para variar el gelato durante la última fase de la preparación).
- Cuando la preparación ha alcanzado la consistencia deseada, apagar el circuito de refrigeración pulsando el botón (1) y detener

La pala pulsando el botón (2). Para retirar fácilmente la preparación de la cubeta, extraer la pala mezcladora (5) aflojando el correspondiente tornillo de fijación (4)

INICIO MANUAL DEL CICLO DE CONSERVACIÓN

- En caso de que se considere oportuno, se puede activar manualmente en cualquier momento el ciclo de conservación. Mantener pulsados simultáneamente los botones pala (2) y compresor (1) durante 3 segundos. La máquina pasará inmediatamente al ciclo de conservación relativo al programa de elaboración del gelato clásico italiano. El led (12a) se encenderá.
- En caso de que desee efectuar una conservación relativa a otro programa de producción, antes de pasar de funcionamiento manual a conservación, es necesario seleccionar el programa de producción deseado (ver apartado "VARIACIÓN DEL CICLO DE CONSERVACIÓN").

USO EN MODALIDAD AUTOMÁTICA

La máquina **GELATO 5+5K TWIN CREA** dispone de una serie de programas que automatizan el proceso de producción y conservación.

- Seguir lo indicado en el apartado "MODO DE USO".
- Pulsando el botón (11) la máquina se pone en funcionamiento en modalidad automática seleccionando el primer programa de funcionamiento. El led parpadea durante 3 segundos durante los cuales, volviendo a pulsar el botón (11), se pueden seleccionar los otros programas en secuencia.
- Cuando la luz led se vuelve estable, el programa correspondiente se pone en funcionamiento y empieza el ciclo de producción.
- La máquina dispone de 4 programas de producción y de 4 ciclos de conservación para cada programa de producción. Al iniciar el programa seleccionado, se puede elegir el ciclo de conservación deseado. La selección del ciclo de conservación se efectúa pulsando repetidamente el botón (12). Pasando del primer al cuarto programa de conservación, la consistencia del gelato en conservación aumenta progresivamente.

- Cuando el gelato alcanza la consistencia correcta, automáticamente finaliza el programa de producción y se inicia el ciclo de conservación seleccionado.

- Cada programa de producción tiene un tiempo límite establecido, transcurrido el cual la máquina entra en todos los casos automáticamente en conservación.

- En caso de que se considere oportuno, se puede terminar el programa de producción y activar en cualquier momento el ciclo de conservación. Seleccionar el ciclo de conservación deseado actuando en el botón 12 (selección en secuencia). Mantener pulsados simultáneamente los botones pala (2) y compresor (1) durante 3 segundos. La máquina pasará inmediatamente del ciclo de producción al de conservación.

- **PROGRAMA GELATO ITALIANO CLÁSICO Y SORBETE.** Pulsando una vez el botón (11) se enciende el led (11a) y se activa el programa de producción. Al finalizar el ciclo de producción, el led (11a) parpadea señalando la activación del ciclo de conservación seleccionado.

Si la preparación estuviera preparada antes de alcanzar el tiempo límite de funcionamiento, la pala de mantecado se bloquea. La función de conservación se activa automáticamente.

- **PROGRAMA GELATO SEMI SOFT.** Pulsando dos veces el botón (11) se enciende el led (11b) y se activa el programa de producción. Al finalizar el ciclo de producción, el led (11b) parpadea señalando la activación del ciclo de conservación seleccionado.

Si la preparación estuviera preparada antes de alcanzar el tiempo límite de funcionamiento, la pala de mantecado se bloquea. La función de conservación se activa automáticamente.

- **PROGRAMA GRANIZADO.** Pulsando tres veces el botón (11) se enciende el led (11c) y se activa el programa para la producción del granizado. Al finalizar el ciclo de producción, el led (11c) parpadea señalando la activación del ciclo de conservación seleccionado. Si la preparación estuviera preparada antes de alcanzar el tiempo límite de funcionamiento, la pala de mantecado se bloquea. La función de conservación se activa automáticamente.

•PROGRAMMA ENFRIAMIENTO RÁPIDO.

Pulsando cuatro veces el botón (11) se enciende el led (11d) y se activa el programa de enfriamiento rápido. Al finalizar el ciclo de producción, el led (11d) parpadea señalando la activación del ciclo de conservación seleccionado.

Este programa se utiliza cuando se parte de mezclas a temperaturas elevadas. El programa baja rápidamente la temperatura sin hacer que la mezcla absorba demasiado aire, ahorrando tiempo y mejorando la calidad del gelato producido.

VARIACIÓN DEL PROGRAMA SELECCIONADO

En caso de que con un programa ya iniciado fuera necesario seleccionar otro programa diferente, será posible simplemente pulsando el botón (11). Al seleccionar el nuevo programa, se detendrá el programa en ejecución. El nuevo programa estará inmediatamente activo con sus tiempos de ejecución que volverán a empezar desde los valores iniciales.

PASO DE FUNCIONAMIENTO AUTOMÁTICO A FUNCIONAMIENTO MANUAL

Durante el programa de producción, en cualquier momento se puede pasar a la modalidad manual.

Manteniendo pulsado el botón (11) durante 3 segundos, la máquina pasará a modalidad manual encendiendo simultáneamente los leds de la pala (2a) y del compresor (1a).

El ciclo de conservación seleccionado se desactivará.

APAGADO DE LA MÁQUINA DURANTE EL FUNCIONAMIENTO EN MODALIDAD AUTOMÁTICA

En caso de que fuera necesario apagar la máquina antes de completar el programa de producción activo es necesario primero pasar a la modalidad manual manteniendo pulsado durante 3 segundos el botón (11) y, posteriormente, pulsar los botones pala (2) y compresor (1) para detener cualquier actividad. ¡Evitar actuar directamente en el interruptor general (10)!

VARIACIÓN DEL CICLO DE CONSERVACIÓN DURANTE EL FUNCIONAMIENTO DE UN PROGRAMA

Durante la fase de producción automática se puede variar en cualquier momento el ciclo de conservación configurado. Pulsar repetidamente el botón (12) hasta activar el led correspondiente al ciclo deseado. El led parpadeará durante 3 segundos y, a continuación, se volverá estable: en este punto, el nuevo ciclo de conservación estará seleccionado y se efectuará al finalizar el programa de producción. Cada programa de producción activará a su finalización el ciclo de conservación seleccionado.

BLOQUEO PALA Y APERTURA DE LA TAPA

La apertura de la tapa (3) detiene únicamente la pala (5) y no influye en el programa de producción.

El cierre de la tapa (3) inicia el movimiento de la Pala (5) (en caso de que, en ese momento, esté previsto por el programa seleccionado). Si la mezcla fuera excesivamente consistente para impedir el movimiento de la pala, la máquina activará automáticamente el ciclo de conservación seleccionado anteriormente.

CONSERVACIÓN AUTOMÁTICA

Se dispone de 4 ciclos de conservación para cada programa de mantecado (16 ciclos en total) diseñados para cubrir las necesidades más amplias.

- En modalidad automática, al final de cada programa de producción, en caso de que la máquina no se detenga, se activa el ciclo seleccionado de conservación del gelato.
- La activación de la función de conservación se indica con el parpadeo del led correspondiente al programa de producción seleccionado.
- La selección del ciclo de conservación deseado puede efectuarse indistintamente al inicio o durante la fase de producción.
- En función del tipo de receta y/o de la cantidad en preparación, cada serie de ciclos de conservación, en combinación con la velocidad de la pala, permite mantener el gelato, granizado u otras preparaciones mantecadas, en las condiciones deseadas.

- Pulsando el botón (12) varias veces se encienden en secuencia los leds de selección de los diferentes ciclos de conservación. Pasando del primer (LED (12a) activo) al cuarto (LED (12d) activo) programa de conservación, la densidad del gelato aumenta progresivamente.
- Una vez seleccionado el ciclo deseado, el led correspondiente parpadeará durante 3 segundos y se volverá estable haciendo que la selección sea operativa.

VARIACIÓN DEL CICLO DE CONSERVACIÓN

Siempre se puede seleccionar un ciclo de conservación distinto (relativo al mismo programa de producción) tanto durante la fase activa como durante la fase de pausa del ciclo en ejecución. Pulsar repetidamente el botón (12) hasta activar el led correspondiente al ciclo deseado. El led parpadeará durante 3 segundos y se volverá estable: en este punto, el nuevo ciclo de conservación estará seleccionado y se ejecutará con sus tiempos de ejecución.

En caso de que fuera necesario pasar a una serie de ciclos de conservación propia de un programa diferente del seleccionado, es necesario antes activar el programa correspondiente pulsando el botón (11). Una vez activado el programa, pasar a la función de conservación pulsando simultáneamente durante 3 segundos los botones (2) y (1). La máquina activará la serie de ciclos de conservación relativos al programa seleccionado.

PASO DE LA FASE DE CONSERVACIÓN A UN PROGRAMA DE PRODUCCIÓN

Con la conservación activa, se puede activar un programa de producción automático simplemente seleccionándolo mediante la pulsación del botón (11). El led relativo al programa seleccionado parpadeará durante 3 segundos y se volverá estable; la máquina saldrá del ciclo de conservación y empezará a ejecutar el programa de producción seleccionado.

En consecuencia se activará la serie de ciclos de conservación relativa al programa seleccionado.

BLOQUEO PALA Y APERTURA DE LA TAPA

La apertura de la tapa (3) detiene únicamente la pala (5) y no influye en los tiempos del ciclo de conservación.

El cierre de la tapa (3) inicia el movimiento de la pala (5) (en caso de que, en ese momento, esté previsto por el ciclo de conservación seleccionado). Si la mezcla fuera excesivamente dura para impedir el movimiento de la pala, la máquina volverá a activar automáticamente el ciclo de conservación desde el principio.

APAGADO DE LA MÁQUINA DURANTE LA CONSERVACIÓN

Para apagar la máquina mantener pulsado el botón (11) durante 3 segundos y, a continuación, actuar en el interruptor general (10). ¡Evitar actuar directamente en el interruptor general (10)!

IMPORTANTE

- Todos los ciclos de conservación continúan hasta que el operador decida pararlos.
- **¡La máquina no se ha diseñado para utilizarla como conservador o cámara frigorífica!** No se recomienda conservar el preparado en la cubeta durante más de 12 horas.
- El ventilador de enfriamiento del sistema de refrigeración permanecerá siempre en funcionamiento durante todo el periodo de conservación.
- Al final del uso, apagar SIEMPRE la máquina mediante el interruptor general (10).

RECOMENDACIONES ÚTILES

- Utilizando ingredientes a temperatura de nevera, se reducen los tiempos de producción. Además, se puede reducir la temperatura de los ingredientes si están calientes, utilizando el programa correspondiente de enfriamiento rápido.
- Prestar atención para no introducir ingredientes demasiado fríos o casi congelados, el mantecado podría ser de poca calidad.
- Para un aumento correcto del volumen de la mezcla, **utilizar como máximo 1,25 kg de ingredientes** para preparaciones de gelato y sorbete.

- Para la preparación de granizado la cantidad máxima de ingredientes es de 1kg con la pala suministrada con la máquina. Se pueden elaborar hasta 1,5kg de granizado utilizando la pala de granizado especial que se vende por separado.

LIMPIEZA DE LA CUBETA

GELATO 5+5K TWIN CREA se ha diseñado para facilitar la limpieza de la cubeta. Proceder de la siguiente manera:

- Apagar el sistema de refrigeración, desmontar las palas y verter al menos 2 litros de agua caliente y detergente no espumoso en la cubeta.
- Lavar la cubeta con una esponja. **No utilizar utensilios cortantes dentro de la cubeta.**
- Colocar un contenedor vacío de al menos 3 litros debajo de la descarga (8).
- Extraer el tapón (9). El agua del recipiente empezará a fluir en el contenedor situado debajo.
- Repetir la operación con agua caliente y limpia para llevar a cabo un cuidadoso aclarado.
- Cuando la cubeta esté vacía, limpiar el conducto de descarga con la escobilla (14) lavada anteriormente.
- Volver a colocar el tapón (9) hasta el cierre de la descarga del recipiente.
- Si es necesario, repetir el ciclo hasta la completa limpieza de la cubeta.
- Secar con papel de un solo uso.

MANTENIMIENTO Y LIMPIEZA DE LA MÁQUINA

- Antes de iniciar la limpieza de la máquina, asegurarse de que esté apagada (interruptor general (10) en OFF) y el enchufe desconectado de la toma de corriente.
- Retirar los insertos de la pala.
- Retirar el perno de acero y quitar la tapa transparente (3) de la máquina.
- La pala (5), los insertos, la tapa transparente (3) y el anillo de fijación (4) pueden lavarse en lavavajillas o con agua caliente con un detergente adecuado.
- Si los insertos de la pala están en mal estado o gastados, deben sustituirse para evitar que la mezcla de los ingredientes sea menos

eficaz.

- Lavar la cesta con una esponja. **No utilizar utensilios cortantes dentro de la cesta.**
- Limpiar el cuerpo de la máquina y las piezas que no puedan extraerse con el producto especificado en el capítulo DESINFECCIÓN. **IMPORTANTE: no lavar la máquina con chorros de agua! Contiene piezas eléctricas.**
- Secar cuidadosamente con un paño absorbente de un solo uso para evitar que se formen depósitos de ningún tipo.
- Al menos una vez al año, limpiar las rejillas de ventilación (6) en la parte trasera y en el fondo de la máquina.
- Periódicamente (al menos una vez cada 3 meses) comprobar el retén (13) en la cabeza del eje de transmisión: sustituir si es necesario o lubricar con grasa de categoría H1 o superior. Puede solicitarse una grasa específicamente estudiada en cualquier Centro de asistencia autorizado. Un sello de aceite de reemplazo (13) está provisto con la máquina.

DESINFECCIÓN

Las operaciones de desinfección permiten eliminar una gran parte de microorganismos cuyas células y esporas encuentran, gracias también a los restos de producción, condiciones favorables para su supervivencia y proliferación. Se efectúan al final del ciclo de producción diario o más a menudo si es necesario. La desinfección consta de dos fases:

- **LAVADO.** Elimina la suciedad (residuos gruesos) y contempla un aclarado con agua templada inmediatamente al terminar el trabajo; la acción detergente se lleva a cabo mediante frotado manual y la presión del agua. El uso de un detergente químico reduce, pero no anula, la limpieza manual Requerida. **ATENCIÓN:** solamente el lavado, por muy minucioso que sea, no garantiza la eliminación completa de los contaminantes microbianos. Actuar de la siguiente manera:
 - Eliminar mecánicamente la suciedad gruesa.

- Aclarar al inicio con agua caliente a temperatura superior a 45°C para disolver la grasa y favorecer su eliminación, pero inferior a 60°C para evitar "cocer" las proteínas, azúcares o grasas, haciendo que se adhieran más a las superficies que se desean limpiar. Para los utensilios y las piezas desmontables de los equipos es suficiente una inmersión de aproximadamente 15 minutos.
- Aplicar el detergente: dado que la mayoría de los residuos alimentarios (proteínas y grasas) no se disuelven con el agua, para eliminarlos completamente es necesario utilizar un detergente que ablande la suciedad de la superficie y permita su eliminación en el aclarado posterior
- Aclarado final con agua a temperatura del grifo, durante al menos 5 minutos si está en inmersión.
- DESINFECCIÓN.** La desinfección (o descontaminación) comporta la destrucción asegurada de las bacterias no esporuladas y la reducción acentuada de la presencia de bacterias no patógenas y no esporuladas. Las operaciones de lavado y desinfección deben realizarse por separado. Después de efectuar el lavado, proceder con la desinfección. Proceder de la siguiente manera:
 - Utilizar un desinfectante específico de uso en la industria alimentaria. Comprobar que en el envase estén bien indicadas las siguientes características:
 - Desinfectante, Puesto médico quirúrgico o equivalente.
 - Nº de registro ante las autoridades sanitarias.
 - Mensaje "para uso en la industria alimentaria".
 - Dosis y tiempo de uso.
 - Composición, fabricante, lote y fecha de producción.
 - Advertencias sobre la seguridad para el uso.
 - Diluir el producto desinfectante de acuerdo con las instrucciones del fabricante.

Atención: ahorrar en desinfectante puede permitir la supervivencia de bacterias en niveles peligrosos, de la misma forma que un exceso de principio activo no mejora su eficacia.

- Hacer que actúe el desinfectante durante el tiempo de contacto especificado. Un tiempo demasiado corto puede hacer que la desinfección no sea eficaz.
- Para una correcta ejecución de las distintas operaciones, es necesario efectuar la limpieza de arriba hacia abajo, terminando con el suelo.
- Después de la aplicación del desinfectante, eliminar los residuos con un aclarado final.
- Prestar especial atención a la limpieza de la descarga.
- Secar bien las superficies para evitar la proliferación bacteriana favorecida por el ambiente húmedo;
- Se recomienda alternar cada 6 meses el tipo de desinfectante para evitar la selección de bacterias resistentes. Las esporas bacterianas son las formas biológicas más resistentes, por lo tanto es preferible usar productos a base de cloro.

POSIBLES PROBLEMAS Y SOLUCIONES

•La máquina no produce frío:

- Comprobar que el enchufe de alimentación esté correctamente introducido y que la energía eléctrica llegue al aparato.
- El dispositivo de seguridad del compresor se ha puesto en funcionamiento: esperar 5-10 minutos antes de volver a poner en funcionamiento la máquina. Los intentos repentinos y continuados de puesta en funcionamiento sólo hacen que prolongar el periodo de inactividad de la máquina.
- Comprobar que la máquina esté correctamente colocada, con las rejillas de ventilación (6) libres de cualquier obstrucción.
- Comprobar que la máquina no esté efectuando un ciclo de conservación (led (11a, b, c, d) intermitente) que prevea la parada del compresor.

Español

- Comprobar que con el encendido de la máquina (interruptor (10)) el panel de mandos muestre el procedimiento correcto de inicialización encendiendo todos los leds en secuencia.
 - **La pala no gira:**
 - Comprobar que la pala (5) esté correctamente enganchada al eje de transmisión y bloqueada con el correspondiente anillo de fijación (4).
 - Comprobar que esté libre de obstáculos que impidan su rotación.
 - Asegurarse de que la tapa esté cerrada en la posición correcta: un dispositivo de seguridad detiene la pala cuando se abre la tapa.
 - Comprobar que el led de la pala (2a) no esté intermitente. En ese caso pulsar el botón (2) dos veces para volver a poner en funcionamiento la pala. Asegurarse de que la mezcla no sea demasiado consistente para impedir la rotación de la pala.
 - Asegurarse de que la máquina no esté efectuando un ciclo de conservación (led (11a-b-c-d) intermitente) que prevea la parada de la pala.
 - **La máquina hace ruido:**
 - Un cierto nivel de ruido se corresponde con las especificaciones de funcionamiento normales; sin embargo, si se volviera
- excesivo, póngase en contacto con el Centro de Asistencia para evitar problemas graves en el futuro.
- **El tapón de drenaje pierde:**
 - Reemplace las juntas. Con la máquina se proporcionan 2 kit de juntas adicionales (16).
 - **La brújula en plástico (17) ya no está unida a la pala:**
 - Sustituya la junta de la brújula. Con la máquina se proporcionan 4 kit de juntas (15).

ACCIÓN	COMBINACIÓN BOTONES
ACTIVACIÓN PALA	2
ACTIVACIÓN COMPRESOR	1
ACTIVACIÓN PROGRAMAS	11
ACTIVACIÓN CONSERVACIÓN	1+2 (3 segundos)
APAGADO DESDE PROGRAMA	11 (3 segundos) después 1 y 2
APAGADO DESDE CONSERVACIÓN	11 (3 segundos)
CAMBIO PROGRAMA	11
CAMBIO CONSERVACIÓN	12
ACTIVACIÓN PROGRAMA DESDE CONSERVACIÓN*	11**
ACTIVACIÓN PROGRAMA DESDE CONSERVACIÓN***	11

*Si la conservación está activada después de un programa.
 **Para activar el programa cuyo led parpadea, seleccionar antes un programa diferente.
 ***Si la conservación está activada sin ejecutar programas.

AVVERTENZE GENERALI DI SICUREZZA

Durante l'utilizzo di apparecchi elettrici è necessario prestare molta attenzione ad alcune norme di sicurezza, in particolare:

- Leggere attentamente le istruzioni d'uso prima di installare e utilizzare l'apparecchio.
- Non immergere la macchina in acqua o in altri liquidi per evitare il pericolo di scosse elettriche.
- Non consentire l'uso dell'apparecchio a persone (anche bambini) con ridotte capacità psico-fisico-sensoriali, o con esperienza e conoscenze insufficienti, a meno che non siano attentamente sorvegliate e istruite da un responsabile della loro incolumità. Sorvegliare i bambini, assicurandosi che non giochino con l'apparecchio.
- Scollegare l'apparecchio dalla presa di corrente quando non è in funzione, prima di smontarlo e prima di pulirlo.
- Non venire a contatto con alcuna parte in movimento. Per evitare il rischio di infortuni o di danni all'apparecchio, non toccarlo con mani, capelli, abiti, spatole o altri utensili mentre è in funzione.
- Non utilizzare l'apparecchio se il cavo di alimentazione o la spina sono danneggiati, o dopo un funzionamento anomalo, o ancora dopo che l'apparecchio sia caduto o sia stato danneggiato in qualsiasi modo. In questi casi è consigliabile portare l'apparecchio al più vicino centro di Assistenza Autorizzato per le riparazioni.
- L'uso di accessori o parti non originali o non raccomandate dal costruttore appositamente per quest'apparecchio potrebbe essere causa di incendio, di scosse elettriche o di infortuni.
- Non utilizzare all'aperto.
- Non lasciare che il cavo di alimentazione sporga dal bordo del tavolo o dal piano di lavoro ed evitare che il cavo stesso entri in contatto con superfici calde.

CONSERVARE QUESTE ISTRUZIONI

ATTENZIONE!

- Qualsiasi operazione che esuli dalla normale pulizia o manutenzione deve essere effettuata da un Centro Specializzato con personale autorizzato.
- Dovo aver tolto l'apparecchio dall'imballo verificarne l'integrità. In caso di dubbio non utilizzare l'apparecchio e rivolgersi ad un centro di servizio autorizzato.
- Sacchetti, polistiroli, chiodi etc. sono potenzialmente pericolosi e non vanno tenuti a portata dei bambini.
- Il costruttore ed il venditore rifiutano qualsiasi responsabilità per danni causati dal mancato rispetto delle istruzioni nel presente libretto.
- Controllare che il voltaggio riportato sulla targa dati dell'apparecchio corrisponda alla tensione erogata nella vostra zona.
- Non utilizzare oggetti o utensili taglienti all'interno del cestello, potrebbe risultrne danneggiato. Ad apparecchio spento è consigliabile utilizzare una spatola di gomma o un cucchiaino di legno.
- Non pulire l'apparecchio con sostanze od oggetti abrasivi.
- Non posizionare l'apparecchio su superfici calde o vicino a fiamme.
- Non staccare la spina di alimentazione tirandola per il cavo.
- L'apparecchio deve essere alimentato tramite un impianto efficiente equipaggiato con una efficiente messa a terra e con presa di corrente capace di almeno 10A. Il costruttore non è responsabile per danni a cose o persone nel caso in cui le prescritte norme di sicurezza non siano rispettate.
- Prima di qualsiasi operazione di pulizia o manutenzione, assicurarsi che l'apparecchio sia disconnesso dalla rete elettrica.
- Non lavare mai l'apparecchio con getti d'acqua o immergendolo.
- Questo apparecchio è in classe climatica "T", adatto per l'utilizzo fino a temperatura ambiente di 43°C.

IMPORTANTE: Lasciare la macchina su una superficie piana in posizione orizzontale almeno 12 ore prima di utilizzarla per la prima volta. Nel caso in cui la macchina fosse stata capovolta durante il trasporto, gli agenti refrigeranti dovranno rifluire nella corretta posizione.

Lasciare almeno 20cm di spazio tutt'intorno alla macchina per una libera circolazione dell'aria. Assicurarsi che le griglie di ventilazione non siano ostruite.

- | | | |
|---|--|---|
| 1). Pulsante di raffreddamento. | 8). Raccordo scarico acqua. | 12a). Led ciclo conservazione N°1. |
| 1a). Led funzionamento impianto refrigerante. | 9). Tappo scarico acqua. | 12b). Led ciclo conservazione N°2. |
| 2). Pulsante pala miscelatrice. | 10). Interruttore luminoso generale. | 12c). Led ciclo conservazione N°3. |
| 2a). Led funzionamento pala. | 11). Pulsante selezione programmi. | 12d). Led ciclo conservazione N°4. |
| 3). Coperchio trasparente. | 11a). Led programma Gelato Italiano. | 13). Paraolio. |
| 3a). Foro aggiunta ingredienti con tappo. | 11b). Led programma Gelato semi-soft. | 14). Scovolino. |
| 4). Ghiera di fissaggio pala. | 11c). Led programma Granita. | 12). Set guarnizioni bussola pala. |
| 5). Pala miscelatrice. | 11d). Led programma raffreddamento veloce. | 13). Set guarnizioni tappo scarico acqua. |
| 6). Griglie di ventilazione. | 12). Pulsante selezione tempi conservazione. | 14). Bussola pala. |
| 7). Spatola. | | |

Complementi!

Avete acquistato un mantecatore NEMOX di ultima generazione.

Oltre a produrre tutto il gelato, sorbetto, granite che volete, potrete anche conservare le preparazioni nella vasca, così da mantenerle sempre alla temperatura e densità ideali per il servizio.

GELATO 5+5K TWIN CREA è composta da due gruppi identici totalmente indipendenti e autonomi: due gelatiere in un unico apparecchio!

Un computer di bordo vi aiuterà a realizzare il lavoro nel migliore dei modi, esaltando la vostra professionalità e facendovi risparmiare fatiche e tempo prezioso.

Il vostro mantecatore dispone di due tipologie di funzionamento:

- **In modalità manuale, il funzionamento** di compressore e pala sono indipendenti così da sfruttare al meglio la vostra esperienza. Il sistema di conservazione può essere avviato solo e se lo riterrete opportuno. Un dispositivo elettronico interviene a fermare la pala qualora la consistenza della preparazione sia eccessiva, onde evitare di compromettere le funzionalità meccaniche della macchina. L'impianto refrigerante continua a funzionare fino al suo arresto manuale.
- **In modalità automatica,** permette di scegliere a priori uno dei 4 programmi di

funzionamento (gelato italiano classico, gelato semi-soft, granita, raffreddamento rapido) e 4 programmi di conservazione per ogni tipologia di produzione.

Con questa modalità di funzionamento non dovrete più preoccuparvi di nulla, fatte le scelte ed avviato il mantecatore, lo stesso produce il gelato e passa automaticamente nella modalità di conservazione desiderata.

A voi non resta che servire il gelato ai vostri clienti, sempre alla consistenza perfetta.

PRIMO UTILIZZO

- Posizionare **GELATO 5+5K TWIN CREA** su una superficie piana, verificare che le griglie di ventilazione (6) non siano ostruite.
- Durante l'uso l'apparecchio va tenuto discosto da pareti o mobili onde non ostacolare l'afflusso ed il deflusso dell'aria di raffreddamento. La fuoriuscita di aria tiepida o calda fa parte integrante del funzionamento dell'apparecchio che scambia calore con l'esterno per la refrigerazione.
- Lasciare la macchina in posizione orizzontale per 8 ore o più prima del primo utilizzo in quanto, se inclinata durante il trasporto, gli agenti refrigeranti dovranno riassetarsi nella corretta posizione.
- Prima di iniziare ad utilizzare la macchina, pulire accuratamente le parti che vengono in contatto diretto o indiretto con gli alimenti

trattati (vasca, pala di miscelazione, inserti Pala, ghiera di fissaggio, coperchio etc).

- L'igiene è estremamente importante quando si trattano alimenti. Seguire scrupolosamente le prescrizioni della normativa igienica applicabile nel vostro Paese (HACCP o corrispondente).

PREPARAZIONE DELLA MISCELA

Scegliere la ricetta e preparare la miscela, facendo attenzione a quanto segue:

- Manipolare gli ingredienti secondo quanto prescritto dalle norme igieniche applicabili nel vostro Paese (HACCP o corrispondente).
- Per la preparazione di gelati e sorbetti non introdurre più di 1.25Kg di miscela, al fine di permettere un corretto aumento di volume durante la miscelazione.
- Per la preparazione di granite la quantità massima consigliata è di 1kg. di miscela con la pala in dotazione. Si possono lavorare fino a 1.5kg. di granita utilizzando la speciale Pala Granita acquistabile separatamente.
- Si consiglia di versare la miscela a temperatura compresa fra +10°C e +20°C. A temperature più elevate i tempi di lavorazione potrebbero aumentare anche considerevolmente.

MODO D'USO

- **GELATO 5+5K TWIN CREA** è costituita da due gruppi identici completamente autonomi ed indipendenti: viene qui illustrato il funzionamento del singolo gruppo.
- Verificare che il voltaggio indicato sulla targa dati corrisponda a quello di rete. Inserire la spina di alimentazione nella presa di corrente ed azionare l'interruttore generale (10); la luce indicherà la presenza di tensione. La scheda elettronica effettuerà un controllo di inializzazione, accendendo in sequenza tutti i led del pannello comandi.
- Inserire la pala di miscelazione (5) nella vasca, ruotandola in senso orario fino a quando sarà posizionata in sede sul fondo

della vasca.

- Inserire la pala miscelatrice (5) nella vasca, ruotandola in senso orario fino a quando sarà posizionata in sede sul fondo della vasca.
- Avvitare la ghiera di fissaggio (4) a fondo in modo che la pala miscelatrice sia ben fissa.
- Versare la miscela precedentemente preparata.
- Chiudere il coperchio (3).

UTILIZZO IN MODALITA' MANUALE

- Avviare l'impianto refrigerante premendo il pulsante (1); si accenderà il led (1a).

IMPORTANTE: in caso di spegnimento della macchina, dovuto a temporanee e improvvise sospensioni nell'erogazione dell'energia elettrica o ad un'errata manovra con i tasti di accensione della parte refrigerante, attendere qualche minuto prima di riavviare.

- Premere il pulsante (2) per avviare la pala; si accende il led (2a), il ciclo di produzione inizia. Il tempo di preparazione varia in funzione della quantità, temperatura iniziale della miscela, tipo di prodotto (mantecato, sorbetto o granita) e temperatura ambiente.

IMPORTANTE: Il movimento della pala è del tutto indipendente dall'impianto refrigerante. Un dispositivo di sicurezza arresta il movimento della pala quando il coperchio viene alzato.

Nel caso il coperchio rimanga sollevato a lungo, l'impianto refrigerante continuerà a funzionare.

Di conseguenza al riabbassarsi del coperchio la pala potrebbe non ripartire o fermarsi a causa dell'eccessiva consistenza della miscela.

In questo caso il controllo elettronico arresterà definitivamente la pala ed il led (2a) diverrà lampeggiante per segnalare l'anomalia.

Se la preparazione non fosse ancora completata, spegnere il compressore agendo sul pulsante (1) e la pala tramite il pulsante (2), attendere che miscela diventi più morbida e riavviare la produzione.

- In base alla ricetta e alla quantità di

Ingredienti utilizzati, i tempi di produzione medi sono 15/20 minuti.

- Tramite l'apertura (3a) sul coperchio è possibile aggiungere ulteriori ingredienti (es. per variegare il gelato durante l'ultima fase della preparazione). elevate sono adatte alla preparazione del gelato italiano morbido.
- Quando la preparazione ha raggiunto la consistenza desiderata, spegnere il circuito refrigerante premendo il pulsante (1) e fermare la pala premendo il pulsante (2). Per asportare agevolmente la preparazione dalla vasca, estrarre la pala svitando l'apposita ghiera di fissaggio (4).

AVVIO MANUALE DEL CICLO DI CONSERVAZIONE

- Qualora lo si ritenga opportuno, è possibile attivare manualmente in qualunque momento il ciclo di conservazione. Tenere premuti contemporaneamente i pulsanti pala (2) e compressore (1) per 3 secondi. La macchina passerà immediatamente al ciclo di conservazione relativo al programma di produzione del gelato classico italiano. Il led (12a) si accenderà.
- Qualora si desideri eseguire una conservazione relativa a un diverso un programma di produzione, prima di passare da funzionamento manuale a conservazione è necessario selezionare il programma di produzione desiderato (vedere paragrafo "VARIAZIONE DEL CICLO DI CONSERVAZIONE").

UTILIZZO IN MODALITA' AUTOMATICA

La macchina **GELATO 5+5K TWIN CREA** dispone di una serie di programmi che automatizzano il processo di produzione e di conservazione.

- Seguire quanto descritto nel paragrafo "MODO D'USO".
- Premendo il pulsante (11) la macchina si avvia in modalità automatica selezionando il primo programma di funzionamento. Il led lampeggia per 3 secondi durante i quali, premendo ancora il pulsante (11), è possibile selezionare gli altri programmi in

sequenza.

- Quando la luce led diventa stabile, il relativo programma si avvia e inizia il ciclo di produzione.
- La macchina dispone di 4 programmi per altrettante lavorazioni e di 4 cicli di conservazione per ogni programma di produzione. All'avvio del programma selezionato, è possibile scegliere il ciclo di conservazione desiderato. La scelta del ciclo di conservazione avviene premendo ripetutamente il tasto (12). Passando dal primo al quarto programma di conservazione la consistenza del gelato in conservazione si incrementa progressivamente.
- Quando il gelato raggiunge la corretta consistenza, automaticamente il programma di produzione termina e si avvia il ciclo di conservazione prescelto.
- Ogni programma di produzione ha un tempo limite prestabilito, trascorso il quale, la macchina entra comunque automaticamente in conservazione.
- Qualora lo si ritenga opportuno, è possibile terminare il programma di produzione e attivare in qualunque momento il ciclo di conservazione. Selezionare il ciclo di conservazione desiderato agendo sul tasto 12 (selezione in sequenza). Tenere premuti contemporaneamente i pulsanti pala (2) e compressore (1) per 3 secondi. La macchina passerà immediatamente dal ciclo di produzione a quello di conservazione.
- **PROGRAMMA GELATO ITALIANO CLASSICO E SORBETTO.** Premendo una volta il pulsante (11) si accende il led (11a) e si attiva il programma di produzione. Al termine del ciclo di produzione il led (11a) lampeggia segnalando l'attivazione del ciclo di conservazione selezionato. Se la preparazione fosse pronta prima del raggiungimento del tempo limite di funzionamento, la pala di mantecazione si blocca. La funzione di conservazione si attiva automaticamente.

• **PROGRAMMA GELATO SEMI-SOFT.**

Premendo due volte il pulsante (11) si accende il led (11b) e si attiva il programma di produzione. Al termine del ciclo di produzione il led (11b) lampeggia segnalando l'attivazione del ciclo di conservazione selezionato.

Se la preparazione fosse pronta prima del raggiungimento del tempo limite di funzionamento, la pala di mantecazione si blocca. La funzione di conservazione si attiva automaticamente.

• **PROGRAMMA GRANITA.** Premendo tre volte il pulsante (11) si accende il led (11c) viene attivato il programma per la produzione della Granita. Al termine del ciclo di produzione il led (11c) lampeggia segnalando l'attivazione del ciclo di conservazione selezionato.

Se la preparazione fosse pronta prima del raggiungimento del tempo limite di funzionamento, la pala di mantecazione si blocca. La funzione di conservazione si attiva automaticamente.

• **PROGRAMMA ABBATTIMENTO RAPIDO.** Premendo quattro volte il pulsante (11) si accende il led (11d) e viene attivato il programma di abbattimento rapido. Al termine del ciclo di produzione il led (11d) lampeggia segnalando l'attivazione del ciclo di conservazione selezionato.

Questo programma viene utilizzato quando si parta da miscele a temperature elevate. Il programma fa in modo di abbattere velocemente la temperatura senza far assorbire troppa aria alla miscela, risparmiando tempo e migliorando la qualità del gelato prodotto.

VARIAZIONE DEL PROGRAMMA SELEZIONATO

Qualora con un programma già avviato fosse necessario selezionarne uno diverso, sarà possibile semplicemente premendo il tasto (11). Alla selezione del nuovo programma, verrà arrestato il programma in esecuzione. Il nuovo programma sarà immediatamente

attivo con i propri tempi di esecuzione che ripartiranno dai valori iniziali.

PASSAGGIO DA FUNZIONAMENTO AUTOMATICO A FUNZIONAMENTO MANUALE

Durante il programma di lavorazione, è possibile in ogni momento passare in modalità manuale.

Tenendo premuto il tasto (11) per 3 secondi la macchina passerà in modalità manuale accendendo contemporaneamente i led pala (2a) e compressore (1a).

Il ciclo di conservazione selezionato sarà disattivato.

SPEGNIMENTO DELLA MACCHINA DURANTE IL FUNZIONAMENTO IN MODALITA' AUTOMATICA

Qualora ci fosse la necessità di spegnere la macchina prima del completamento del programma di lavorazione attivo è necessario prima passare in modalità manuale tenendo premuto per 3 secondi il tasto (11) e successivamente premere i pulsanti pala (2) e compressore (1) per arrestare qualsiasi attività. Evitare di agire direttamente sull'interruttore generale (10)!

VARIAZIONE DEL CICLO DI CONSERVAZIONE DURANTE IL FUNZIONAMENTO DI UN PROGRAMMA

Durante la fase di preparazione automatica è possibile variare in ogni momento il ciclo di conservazione impostato. Premere ripetutamente il pulsante (12) fino all'attivazione del led corrispondente al ciclo desiderato. Il led lampeggerà per 3 secondi e diverrà stabile: il nuovo ciclo di conservazione è a questo punto selezionato e sarà eseguito al termine del programma. Ogni programma di preparazione attiverà al proprio scadere il ciclo di conservazione selezionato.

BLOCCO PALA AD APERTURA DEL COPERCHIO

L'apertura del coperchio (3) arresta unicamente la pala (5) e non influisce sul programma di preparazione.

La chiusura del coperchio (3) avvia il movimento della pala (5) (qualora, in quel momento, sia previsto dal programma selezionato). Se la miscela risultasse eccessivamente consistente da impedire il movimento della pala, la macchina attiverà automaticamente il ciclo di conservazione precedentemente selezionato.

CONSERVAZIONE AUTOMATICA

Sono disponibili 4 cicli di conservazione per ciascun programma di mantecazione (16 cicli in totale) studiati per incontrare le esigenze più ampie.

- In modalità automatica, qualora la macchina non venga arrestata, alla fine di ciascun programma di produzione viene attivato il ciclo selezionato di conservazione del gelato.
- L'attivazione della funzione di conservazione è segnalata dal lampeggiare del led relativo al programma di produzione selezionato.
- La selezione del ciclo di conservazione desiderato può avvenire indifferentemente all'inizio o durante la fase di produzione.
- A seconda del tipo di ricetta e/o della quantità in preparazione, ciascuna serie di cicli di conservazione, in combinazione con la velocità della pala, permette di mantenere gelato, granita o altre preparazioni mantecate, alle condizioni desiderate.
- Premendo il pulsante (12) più volte vengono accesi in sequenza i led di selezione dei vari cicli di conservazione. Passando dal primo (LED (12a) attivo) al quarto (LED (12d) attivo) programma di conservazione la densità del gelato si incrementa progressivamente.
- Una volta selezionato il ciclo desiderato, il led corrispondente lampeggerà per 3 secondi e diverrà stabile rendendo operativa la selezione.

VARIAZIONE DEL CICLO DI CONSERVAZIONE

E' sempre possibile selezionare un diverso ciclo di conservazione (relativo allo stesso

programma di produzione), sia durante la fase attiva che durante la fase di pausa del ciclo in esecuzione. Premere ripetutamente il pulsante (12) fino all'attivazione del led corrispondente al ciclo desiderato. Il led lampeggerà per 3 secondi e diverrà stabile: il nuovo ciclo di conservazione è a questo punto selezionato e sarà eseguito con i propri tempi di esecuzione. Qualora vi fosse la necessità di passare ad una serie di cicli di conservazione propria di un programma differente da quello selezionato, è necessario prima attivare il programma corrispondente premendo il tasto (11). Una volta attivato il programma, passare alla funzione di conservazione premendo contemporaneamente i bottoni (2) ed (1) per 3 secondi. La macchina attiverà la serie di cicli di conservazione relativi al programma prescelto.

PASSAGGIO DALLA FASE DI CONSERVAZIONE AD UN PROGRAMMA

Con la conservazione attiva, è possibile attivare un programma di produzione automatico, semplicemente selezionandolo tramite la pressione del tasto (11). Il led relativo al programma selezionato lampeggerà per 3 secondi e diverrà stabile; la macchina uscirà dal ciclo di conservazione e comincerà ad eseguire il programma di produzione selezionato.

Di conseguenza verrà attivata la serie di cicli di conservazione relativa al programma selezionato.

BLOCCO PALA AD APERTURA DEL COPERCHIO

L'apertura del coperchio (3) arresta unicamente la pala (5) e non influisce sui tempi del ciclo di conservazione.

La chiusura del coperchio (3) avvia il movimento della pala (5) (qualora, in quel momento, sia previsto dal ciclo di conservazione selezionato). Se la miscela risultasse eccessivamente dura da impedire il movimento della pala, la macchina riattiverà automaticamente il ciclo di conservazione dall'inizio.

SPEGNIMENTO DELLA MACCHINA DURANTE LA CONSERVAZIONE

Per spegnere la macchina tenere premuto il pulsante (11) per 3 secondi e Successivamente agire sull'interruttore generale (10). Evitare di agire direttamente sull'interruttore generale (10)!

ATTENZIONE!

- Ciascun ciclo di conservazione prosegue finché l'operatore non decide di arrestarlo.
- **La macchina non è concepita per un utilizzo come conservatore o cella frigorifera!** Si consiglia di conservare il preparato nella vasca per non più di 12 ore.
- La ventola di raffreddamento dell'impianto refrigerante rimarrà sempre in funzione per tutto la durata del periodo di conservazione.
- A fine utilizzo, spegnere la macchina SEMPRE tramite l'interruttore generale (10).

SUGGERIMENTI UTILI

- Utilizzando ingredienti a temperatura di frigorifero si riducono i tempi di produzione. Inoltre è possibile ridurre la temperatura degli ingredienti, se caldi, utilizzando l'apposito programma di raffreddamento rapido.
- Attenzione a non inserire ingredienti troppo freddi o quasi congelati, la mantecazione potrebbe risultare di scarsa qualità.
- Per un corretto aumento di volume durante la miscelazione, **utilizzare massimo 1.25Kg. di ingredienti per preparazioni di gelato e sorbetto.**
- Per la preparazione di granite la quantità massima di ingredienti è 1Kg. con la pala fornita con la macchina.
Si può lavorare fino a 1.5kg. di granita utilizzando la speciale pala granita, acquistabile separatamente.

PULIZIA DELLA VASCA

GELATO 5+5K TWIN CREA è progettata in modo da facilitare la pulizia della vasca. Procedere come segue:

- Spegnere l'impianto refrigerante, rimuovere la pala e versare almeno 2 litri di acqua calda nella vasca.
- Lavare la vasca con una spugna. **Non usare**

utensili taglienti all'interno del vasca.

- Porre un contenitore vuoto di almeno 3 litri sotto lo scarico (8).
- Sfilare il tappo (9). L'acqua nella pentola comincerà a fluire nel recipiente sottostante.
- Ripetere l'operazione con acqua calda e pulita per un risciacquo accurato.
- Quando il vasca è vuota pulire il condotto di scarico mediante lo scovolino (14) precedentemente pulito.
- Riposizionare il tappo (9) fino alla chiusura dello scarico della pentola.
- Se necessario ripetere il ciclo fino alla completa pulizia della vasca.
- Asciugare con un panno.

MANTENIMENTO E PULIZIA DELLA MACCHINA

- Prima di iniziare la pulizia della macchina assicuratevi che la stessa sia spenta (interruttore generale (10) su OFF) e la spina disinserita dalla presa di corrente.
- Rimuovere gli inserti della pala.
- Rimuovere il perno in acciaio e togliere il coperchio trasparente (3) dalla macchina.
- La pala (5), inserti pala, coperchio trasparente (3) e ghiera di fissaggio (4) possono essere lavati in lavastoviglie o in acqua calda con detergente adatto.
- Se gli inserti della pala sono rovinati o consumati, devono essere sostituiti per evitare che la miscelazione degli ingredienti divenga meno efficace.
- Lavare la vasca con una spugna. **Non usare utensili taglienti all'interno del vasca.**
- Pulire il corpo della macchina e le parti non asportabili con il prodotto specificato nel capitolo SANIFICAZIONE.
- **IMPORTANTE: non lavate la macchina con getti d'acqua!** Contiene parti elettriche.
- Asciugare accuratamente con un panno assorbente monouso per evitare che si formino depositi di qualsiasi tipo.
- Almeno una volta l'anno, pulire le grate di aerazione (6) sul retro e sul fondo della macchina.
- Periodicamente (almeno una volta ogni 3 mesi) controllate il paraolio (13) in testa

all'albero di trasmissione: sostituire se necessario oppure lubrificare con del grasso di categoria H1 o superiore. Un grasso appositamente studiato può essere richiesto presso qualsiasi Centro di Assistenza autorizzato. Un paraolio di ricambio (13) è fornito insieme alla macchina.

SANIFICAZIONE

Le operazioni di sanificazione consentono di eliminare una parte notevole di microrganismi le cui cellule e spore trovano, anche grazie ai residui di lavorazione, condizioni favorevoli alla loro sopravvivenza ed alla loro proliferazione. Vanno effettuate a fine ciclo di produzione giornaliera o più sovente se necessario. La sanificazione consta di due fasi:

•DETERSIONE

Rimuove lo sporco (residui grossolani) e prevede un risciacquo con acqua tiepida immediatamente al termine del lavoro; l'azione detergente è affidata al frizionamento manuale e alla pressione dell'acqua. L'uso di un detergente chimico riduce, ma non annulla, la pulizia manuale richiesta sopra. **ATTENZIONE:** la sola detersione, per quanto scrupolosa, non garantisce il completo allontanamento dei contaminanti microbici.

Agire come segue:

- Asportare meccanicamente lo sporco grossolano.
- Risciacquare inizialmente con acqua calda a temperatura superiore a 45°C per sciogliere i grassi e favorirne il distacco, ma inferiore a 60°C per evitare di "cuocere" proteine, zuccheri o grassi, rendendoli più tenacemente attaccati alle superfici da pulire. Per gli utensili e le parti smontabili delle attrezzature è sufficiente un'immersione che duri circa 15 minuti.
- Applicare il detergente: poiché la maggior parte dei residui alimentari (proteine e grassi) non si sciolgono nell'acqua, per eliminarli completamente occorre impiegare un detergente che stacchi lo sporco dalla superficie e ne permetta l'allontanamento con il risciacquo successivo.

- Risciacquo finale con acqua a temperatura di rubinetto, per almeno 5 minuti se in immersione.

•DISINFEZIONE

La disinfezione (o decontaminazione) comporta la distruzione certa dei batteri patogeni non sporigeni e la riduzione accentuata della presenza dei batteri non patogeni e non sporigeni. Le operazioni di detersione e disinfezione vanno eseguite separatamente.

Dopo aver effettuato la detersione procedere con la disinfezione. Procedere come segue:

- Utilizzare un disinfettante specifico per l'uso nell'industria alimentare. Controllare che sulla confezione siano ben marcate le seguenti caratteristiche:
 - Disinfettante, Presidio Medico Chirurgico o equivalente.
 - N° di registrazione presso l'autorità sanitaria.
 - Dicitura "da usarsi nell'industria alimentare".
 - Dosi e tempi di utilizzo.
 - Composizione, produttore, lotto e data di produzione.
 - Avvertenze sulla sicurezza per l'uso.
- Diluire il prodotto disinfettante secondo le istruzioni del produttore. **Attenzione:** risparmiare sul disinfettante può permettere la sopravvivenza di batteri a livelli pericolosi, così come eccedere con il principio attivo non ne migliora l'efficacia.
- Fare agire il disinfettante per il tempo di contatto specificato. Un tempo troppo breve può rendere inefficace la disinfezione.
- Per una corretta esecuzione delle diverse operazioni occorre effettuare la pulizia dall'alto verso il basso, terminando con il pavimento.
- Dopo l'applicazione del disinfettante asportarne i residui con un risciacquo finale.
- Prestare particolare attenzione alla pulizia dello scarico.
- Asciugare bene le superfici per evitare la moltiplicazione batterica favorita dall'ambiente umido.

- Si consiglia di alternare ogni 6 mesi il tipo di disinfettante per evitare la selezione di batteri resistenti. Le spore batteriche sono le forme biologiche più resistenti quindi è preferibile usare i prodotti a base di cloro.

EVENTUALI PROBLEMI E SOLUZIONI

• **La macchina non produce freddo:**

- Controllare che la spina di alimentazione sia correttamente inserita e l'energia elettrica arrivi all'apparecchio.
- Il dispositivo di sicurezza del compressore è entrato in azione: attendete 5-10 minuti. Prima di riavviare la macchina. Tentativi repentini e continuati di avviamento non fanno che prolungare il periodo di inattività della macchina.
- Controllare che la macchina sia posizionata correttamente con le griglie di ventilazione (6) libere da qualsiasi ostruzione.
- Controllare che la macchina non stia eseguendo un ciclo di conservazione (led (11a,b,c,d) lampeggiante) che preveda l'arresto del compressore.
- Controllare che all'accensione della macchina (interruttore (10)) il pannello comandi mostri la corretta procedura di inizializzazione accendendo tutti i led in sequenza.

• **La pala non gira:**

- Controllare che la pala sia correttamente agganciata all'albero di trasmissione e bloccata con l'apposita ghiera di fissaggio

(4).

- Controllare che sia libera da ostacoli che ne impediscano la rotazione.
- Assicurarsi che il coperchio sia chiuso nella corretta posizione: un dispositivo di sicurezza arresta la pala se il coperchio viene aperto.
- Controllare che il led pala (2a) non sia lampeggiante. In questo caso premere il pulsante (2) due volte per far ripartire la pala. Assicurarsi che la miscela non sia troppo consistente da impedire la rotazione della pala.
- Assicurarsi che la macchina non stia eseguendo un ciclo di conservazione (led (11a-b-c-d) lampeggiante) che preveda l'arresto della pala.

• **La macchina è rumorosa:**

- Una certa rumorosità rientra nelle normali specifiche di funzionamento; tuttavia se diventasse eccessiva contattate il Centro di Assistenza per evitare futuri e più gravi problemi.

• **Il tappo di scarico perde:**

- Sostituire le guarnizioni di tenuta. Con la macchina sono forniti 2 set aggiuntivi di guarnizioni (16).

• **La bussola in plastica (17) non sta più agganciata alla pala:**

- Sostituire la guarnizione della bussola. Con la macchina sono forniti 4 guarnizioni (15).

AZIONE	COMBINAZIONE TASTI
ATTIVAZIONE PALA	2
ATTIVAZIONE COMPRESSORE	1
ATTIVAZIONE PROGRAMMI	11
ATTIVAZIONE CONSERVAZIONE	1+2 (3 secondi)
SPEGNIMENTO DA PROGRAMMA IN ESECUZIONE	11 (3 secondi) poi 1 e 2
SPEGNIMENTO DA CONSERVAZIONE	11 (3 secondi)
CAMBIO PROGRAMMA	11
CAMBIO CONSERVAZIONE	12
ATTIVAZIONE PROGRAMMA DA CONSERVAZIONE*	11**
ATTIVAZIONE PROGRAMMA DA CONSERVAZIONE***	11

*Se conservazione è attivata dopo un programma.

**Per attivare il programma il cui led è lampeggiante selezionare prima un programma differente.

***Se conservazione è attivata senza eseguire programmi.

ALLGEMEINE SICHERHEITSVORSCHRIFTEN

Bei Verwendung elektrischer Geräte müssen verschiedene Sicherheitsvorschriften unbedingt beachtet werden. Im einzelnen:

- Lesen Sie die Gebrauchsanweisung vor der Verwendung und Inbetriebnahme des Geräts aufmerksam durch.
- Tauchen Sie den Motor nicht ins Wasser oder in anderen Flüssigkeiten: Gefahr eines elektrischen Schlages!
- Dieses Gerät darf weder von physisch noch von geistig behinderten oder in ihrer Bewegung eingeschränkten Personen (einschließlich Kinder) benutzt werden. Auch dürfen Personen die weder Erfahrung noch Kenntnis im Umgang mit dem Gerät haben, dieses erst nach Anweisungen durch eine für ihre Sicherheit zuständige Person in Betrieb nehmen. Kinder müssen überwacht werden, damit sie mit dem Gerät nicht spielen.
- Ein beschädigtes Netzkabel darf aus Sicherheitsgründen nicht selbst repariert werden, sondern muß von Hersteller oder einer autorisierten Hersteller-Kundendienststelle ausgetauscht werden.
- Nehmen Sie vor der Reinigung bzw. vor dem Verstauen der einzelnen Teile stets den Netzstecker aus der Steckdose.
- Berühren Sie keine sich bewegenden Teile. Um Unfälle oder die Beschädigung des Geräts zu vermeiden, darf dieses während des Betriebs nicht mit den Händen, Haaren, Kleidern, Schabern oder anderen Gegenständen berührt werden.
- Verwenden Sie das Gerät nicht, wenn das Netzanschlusskabel oder der Stecker beschädigt ist. Verwenden Sie es weiterhin nicht, wenn eine Betriebsstörung vorliegt, nachdem es zu Boden gefallen oder wenn es auf irgendeine Weise beschädigt worden ist. Schicken Sie das Gerät in diesen Fällen zur Reparatur an dem Ihnen nächstliegenden Kundendienst.
- Die Verwendung von Zubehörteilen, die nicht speziell für dieses Gerät hergestellt worden sind, kann Brand oder Stromschläge verursachen.
- Das Gerät nicht im Freien verwenden.
- Achten Sie darauf, dass das Netzanschlusskabel nicht über die Tisch- oder Arbeitsflächenkante hinausragt und vermeiden Sie den Kontakt des Netzanschlusskabels mit heißen Oberflächen.

DIESE ANWEISUNGEN SIND AUFZUBEWAHREN

ACHTUNG

- Jede Art von Reparatur an dem Gerät darf nur vom Personal einer autorisierten technischen Kundendienststelle ausgeführt werden.
- Überprüfen Sie das Gerät nach Erhalt auf seine Vollständigkeit. Wenden Sie sich gegebenenfalls umgehend an eine autorisierte technische Kundendienststelle.
- Achten Sie bitte darauf, daß sich Verpackungsmaterial wie Plastik- oder Polyesterholsäcke, Nägel etc. auf keinen Fall in der Reichweite von Kindern befinden, da sie eine Gefahrenquelle darstellen könnten.
- Der Hersteller haftet sich nicht für eventuelle Schäden an dem Gerät, die durch Mißachtung der vorliegenden Bedienungs- und Gebrauchsanweisung entstanden sind.
- Überprüfen Sie bitte, ob die Netzspannung auch der angegebenen Voltzahl, die auf dem Schildchen mit den technischen Daten unterhalb des Gerätes angegeben ist, entspricht.
- Keine scharfen Gegenstände im Innenbehälter verwenden. Der Innenbehälter könnte verkratzt oder beschädigt werden. Ein Gummischaber oder ein Holzlöffel können bei ausgeschaltetem Gerät benutzt werden.
- Das Gerät nicht mit Schleifmitteln oder Schleifgegenstände reinigen.
- Sorgen Sie dafür, daß das Gerät nicht in der Nähe von Wärmequellen oder Flammen liegt.
- Den Netzstecker aus der Steckdose entfernen, ohne am Zuleitungskabel zu ziehen.
- Das Gerät muß unbedingt an ausreichend geerdeten Anlagen und Steckdosen mit einer Stromfestigkeit von mindestens 10 A angeschlossen werden. Der Hersteller haftet nicht für eventuelle Schäden an dem Gerät die durch unsachgemäße Stromzufuhr oder fehlende Erdung der Steckdose entstanden sind.
- Vergewissern Sie sich vor jeder Reinigung, daß der Netzstecker herausgezogen ist.
- Das Grundgerät und den Rührmotor nie ins Wasser tauchen oder mit Wasserstrahlen reinigen!
- Diese Gerät gehört zur Kühlung Klasse "T", ist für bis maximale 43° C Raumtemperatur geeignet.

WICHTIG: Stellen Sie die Maschine in Ihrem endgültigen Ort auf und lassen Sie sie mit ausgezogenem Stecker für 12 Stunden ausgeschaltet stehen, bevor Sie sie zum ersten Mal benutzen. Während des ist Transports das Gerät möglicherweise umgekippt oder gar auf den Kopf gestellt worden, deswegen muss man das Gerät auf einer waagrechten Fläche stehen lassen, damit sich die Kühlflüssigkeit wieder sammelt.

Das Gerät so aufstellen, dass die Luftansaugschlitze an den Seiten nicht von Wänden oder Möbeln verdeckt werden. Eine gute Luftzirkulation muss gewährleistet sein (seitlicher Mindestabstand jeweils 20 cm).

Deutsch

- | | | |
|---|--|---|
| 1). Drucktaste der Kühlung.
1a). Led des Kühlungsanlagebetriebs. | 10). Leuchtender Hauptschalter. | 12a). Led Konservierungszyklus Nr. 1. |
| 2). Drucktaste Mischschaufel.
2a). Led des Schaufelbetriebs. | 11). Drucktaste Programmauswahl. | 12b). Led Konservierungszyklus Nr. 2. |
| 3). Transparenter Deckel.
3a). Zutateneinlöffnung mit Deckel. | 11a). Programm-Led Gelato Italiano | 12c). Led Konservierungszyklus Nr. 3. |
| 4). Befestigungsring der Schaufel | 11b). Programm-Led Gelato Semi-soft. | 12d). Led Konservierungszyklus Nr. 4. |
| 5). Mischschaufel. | 11c). Programm-Led Crash-Eis. | 13). Ölspritzring. |
| 6). Belüftungsgitter. | 11d). Programm-Led Schockfrost. | 14). Auswischer. |
| 7). Spachtel. | 12). Auswahl taste Konservierungszeiten. | 12). Kit Dichtungen Hülse Schaufel. |
| 8). Wasserabflussverbindung. | | 13). Kit Dichtungen Wasserablassschraube. |
| 9). Verschluss des Wasserabflusses. | | 14). Hülse Schaufel. |

Glückwunsch!

Sie haben eine NEMOX Eismaschine der neuesten Generation erworben.

Sie können nicht nur so viel Gelato, Sorbets, Crash-Eis herstellen, wie sie wollen, sondern auch die Zubereitungen in dem Behälter aufbewahren, so dass ihnen die ideale Temperatur und Dickflüssigkeit erhalten bleibt.

GELATO 5+5 K TWIN CREA besteht aus zwei identischen Gruppen, die völlig unabhängig und autonom sind! Zwei Eismaschinen in einem einzigen Gerät!

Ein Bordcomputer wird Ihnen bei der Zubereitung in der besten Art behilflich sein und Ihre Professionalität hervorheben, so dass Sie Arbeit und wertvolle Zeit sparen.

Ihre Eismaschine verfügt über zwei Funktionsweisen:

- **Im handbetriebenen Modus**, Kompressor und Schaufel funktionieren unabhängig voneinander, so dass Ihre Erfahrung voll zur Geltung kommt. Das Konservierungssystem kann allein und wenn Sie es für angebracht halten, gestartet werden. Eine elektronische Vorrichtung schreitet zum Anhalten der Schaufel ein, wenn die Zubereitung zu fest wird, um die mechanische Funktionstüchtigkeit der Maschine nicht zu beeinträchtigen. Die Kühlanlage bleibt bis zum handgesteuerten Anhalten in Betrieb.
- **Im automatischen Modus**, kann vorab eines der 4 Betriebsprogramme (Gelato Italiano Classico, Gelato Semi-Soft, Crash-Eis, Schockfrost) und eines der 4 Konservierungsprogramme jeglicher Produktionsweise ausgewählt werden.

In dieser Betriebsweise brauchen Sie sich um nichts mehr zu kümmern, nach der getätigten Wahl und dem Starten der Eismaschine, erzeugt diese das Gelato und geht automatisch in den gewünschten Konservierungsmodus über.

Ihnen bleibt nichts weiter zu tun, als Ihren Kunden das Gelato in der richtigen Konsistenz zu servieren.

ERSTER GEBRAUCH

- **GELATO 5+5K TWIN CREA** auf eine ebene Fläche stellen, prüfen, dass die Belüftungsgitter (6) nicht verstopft sind. Um die Belüftungsgitter einen Freiraum von mindestens 10 cm lassen.
- Während des Gebrauchs, ist das Gerät nicht nah an Wände oder Möbel zu stellen, um den Zu- und Abfluss der Kühlluft nicht zu behindern. Der Austritt lauwarmer oder heißer Luft gehört zur Funktionsweise des Geräts, das zur Kühlung Wärme mit der äußeren Umgebung austauscht.
- Die Maschine vor dem ersten Gebrauch für mindestens 8 Stunden in horizontaler Stellung lassen, damit die Kältemittel, die beim Transport eventuell in einer schrägen Lage waren, wieder in ihre korrekte Position gelangen.
- Bevor mit dem Gebrauch der Maschine begonnen wird, sind alle Teile, die in direkte oder indirekte Berührung mit den verarbeiteten Lebensmitteln gelangen (Behälter, Rührschaufel, Schaufeleinsätze, Befestigungsring, Deckel, usw.), sorgfältig zu reinigen.
- Die Hygiene ist bei der

Lebensmittelverarbeitung extrem wichtig. Die in Ihrem Land anzuwendenden Bestimmungen der Hygienevorschrift sind strikt zu befolgen (HACCP oder gleichwertiges).

VORBEREITUNG DER MISCHUNG

Das Rezept auswählen und die Mischung vorbereiten, wobei auf Folgendes zu achten ist:

- Die Zutaten nach den Bestimmungen der in Ihrem Land anzuwendenden Hygienevorschriften handhaben (HACCP oder gleichwertiges).
- Für die Zubereitung der Gelati oder Sorbets **nicht mehr als 1.25kg der Mischung einführen**, damit während der Mischung die korrekte Zunahme der Menge möglich ist.
- Für die Zubereitung von Crash-Eis, ist die empfohlene Höchstmenge von 1kg Mischung mit der, im Lieferumfang enthaltenen Schaufel, einzuführen. Mit der besonderen Crash-Eis-Schaukel, die getrennt zu erwerben ist, können bis zu 1.5kg Crash-Eis verarbeitet werden.
- Es wird empfohlen, die Mischung bei einer Temperatur zwischen +10° C und +20° C einzufüllen. Bei höheren Temperaturen könnten die Verarbeitungszeiten auch beträchtlich ansteigen.

GEBRAUCHSWEISE

- **GELATO 5+5K TWIN CREA** besteht aus zwei identischen Gruppen, die völlig unabhängig und autonom sind: hierunter die Bedienungsanleitung der einzigen Eismaschine.
- Prüfen, dass die auf dem Datenschild angegebene Spannung mit der Netzspannung übereinstimmt. Den Versorgungsstecker in die Steckdose einführen und den Hauptschalter (10) betätigen; das Licht zeigt die Anwesenheit der Spannung an.
Die elektronische Karte führt die Startkontrolle durch, indem nacheinander alle Led der Steuertafel eingeschaltet werden.
- Die Rührschaufel (5) in den Behälter einführen und solange im Uhrzeigersinn drehen, bis sie in ihrer Stellung auf dem Boden des Behälters ist.

- Den Befestigungsring (4) am Boden anschrauben, sodass die Rührschaufel gut fixiert ist.
- Die vorgehend zubereitete Mischung einfüllen.
- Den Deckel schließen (3).

GEBRAUCH IM HANDBETRIEBENEN MODUS

- Die Kühlanlage durch das Drücken der Taste (1) starten; das Led (1a) leuchtet auf.
WICHTIG: Beim Ausschalten der Maschine wegen vorübergehender oder plötzlicher Stromausfälle oder einer falschen Bedienung mit den Einschaltungstasten des Kühlteils, muss vor dem erneuten Anlassen einige Minuten gewartet werden.
- Die Drucktaste (2) drücken, um die Schaufel zu starten; Das Led (2a) leuchtet auf, der Produktionszyklus beginnt. Die Zubereitungszeit ändert sich je nach Menge, Anfangstemperatur der Mischung, Produkttyp (Eisprodukt, Sorbet oder Crash-Eis) und Umgebungstemperatur.

WICHTIG: Die Bewegung der Schaufel ist vollständig unabhängig von der Kühlanlage. Eine Sicherheitsvorrichtung hält die Bewegung der Schaufel bei Anheben des Deckels an.

Sollte der Deckel längere Zeit angehoben bleiben, funktioniert die Kühlanlage dennoch weiter. Folglich könnte die Schaufel bei einem Senken des Deckels nicht wieder starten oder aufgrund der übermäßigen Festigkeit der Mischung stehen bleiben. In diesem Fall hält die elektronische Steuerung die Schaufel definitiv an und das Led (2a) fängt an zu blinken, um die Funktionsstörung anzuzeigen. Sollte die Zubereitung noch nicht abgeschlossen sein, ist der Kompressor mit der Drucktaste (1) und die Schaufel mit der Drucktaste (2) auszuschalten und abzuwarten, dass die Mischung weicher wird, um die Produktion wieder zu starten.

- Je nach Rezept und der Menge der verwendeten Zutaten, betragen die durchschnittlichen Herstellungszeiten 15/20 Minuten.
- Durch die Öffnung (3a) auf dem Deckel können weitere Zutaten hinzugefügt werden (z.B. um das Eis in der letzten Zubereitungsphase zu marmorieren).

- Wenn die Zubereitung die gewünschte Dickflüssigkeit erreicht hat, ist der Kühlkreis mit der Drucktaste (1) auszuschalten und die Schaufel mit der Taste (2) anzuhalten. Um die Vorbereitung mühelos aus dem Behälter zu entfernen, die Rührschaufel (5) durch das Abschrauben des angebrachten Befestigungsringes (4) entnehmen.

HANDBETRIEBENER START DES KONSERVIERUNGSZYKLUS

- Falls man es für notwendig hält, ist es möglich, handgesteuert jederzeit den Konservierungszyklus in Betrieb zu setzen. Gleichzeitig die Tasten Schaufel(2) und Kompressor(1) für 3 Sekunden gedrückt halten. Die Maschine geht sofort auf den Konservierungszyklus bezüglich des Herstellungsprogramms Gelato Italiano Classico über. Das Led (12a) leuchtet auf.
- Falls man es wünscht, die Konservierung bezüglich eines anderen Herstellungsprogramms durchzuführen, ist es notwendig, bevor man vom handgesteuerten Betrieb zur Konservierung übergeht, das gewünschte Herstellungsprogramm auszuwählen (siehe Paragraph "ÄNDERUNG DES KONSERVIERUNGSZYKLUS").

GEBRAUCH IM AUTOMATISCHEN MODUS

Die Maschine **GELATO 5+5K TWIN CREA** verfügt über eine Reihe von Programmen, die den Herstellungs- und Konservierungsprozess automatisieren.

- Die in dem Paragraph "GEBRAUCHSANWEISUNG" beschriebenen Schritte befolgen.
- Durch das Drücken der Drucktaste (11) startet die Maschine mit der Auswahl des ersten Betriebsprogramms im automatischen Modus. Das Led blinkt für 3 Sekunden, während denen es durch das erneute Drücken der Drucktaste (11) möglich ist, die anderen Programme nacheinander auszuwählen.
- Wenn die Led-Anzeige aufhört zu blinken, startet das entsprechende Programm und der Herstellungszyklus beginnt.
- Die Maschine verfügt über 4

Produktionsprogramme und die entsprechenden 4 Konservierungszyklen. Beim Starten des ausgewählten Programms, kann der gewünschte Konservierungszyklus ausgewählt werden. Die Wahl des Konservierungszyklus erfolgt durch das wiederholte Drücken der Taste (12). Beim Übergang vom ersten zum vierten Konservierungsprogramm, nimmt die Konsistenz fortschreitend zu.

- Wenn das Gelato die richtige Konsistenz erreicht, endet das Produktionsprogramm automatisch und der gewählte Konservierungszyklus startet.
- Jedes Produktionsprogramm hat eine festgesetzte Zeitgrenze, nachdem die Maschine dennoch automatisch die Konservierung startet.
- Falls man es für notwendig hält, ist es möglich das Produktionsprogramm zu beenden und jederzeit den Konservierungszyklus zu starten. Durch Drücken der Taste 12 (aufeinander folgende Auswahl) den gewünschten Konservierungszyklus wählen. Die Tasten Schaufel (2) und Kompressor (1) 3 Sekunden lang gleichzeitig gedrückt halten. Die Maschine geht umgehend vom Produktionszyklus auf den der Konservierung über.
- **PROGRAMM GELATO ITALIANO UND SORBET.** Die Taste (11) einmal drückend, leuchtet das Led (11a) auf und das Produktionsprogramm startet. Am Ende des Herstellungszyklus blinkt das Led (11a) und zeigt so die Aktivierung des gewählten Konservierungszyklus an. Falls die Zubereitung vor dem Erreichen der, für die Funktionsweise festgesetzten Zeitgrenze fertig sein sollte, wird die Rührschaufel blockiert. Die Konservierungsfunktion setzt sich automatisch in Betrieb.
- **PROGRAMM GELATO SEMI-SOFT.** Durch das zweimalige Drücken der Drucktaste (11) schaltet sich das Led (11b) ein und das Verarbeitungsprogramm setzt sich in Betrieb.

Am Ende des Herstellungszyklus blinkt das Led (11b) und zeigt dadurch die Aktivierung des gewählten Konservierungszyklus an. Falls die Zubereitung vor dem Erreichen der für die Funktionsweise festgesetzten Zeitgrenze fertig sein sollte, wird die Rührschaufel blockiert. Die Konservierungsfunktion aktiviert sich automatisch.

• **PROGRAMM CRASH-EIS.** Durch das dreimalige Drücken der Drucktaste (11) leuchtet das Led (11c) auf und das Verarbeitungsprogramm des Crash-Eises setzt sich in Betrieb. Am Ende des Herstellungszyklus blinkt das Led (11c) und zeigt dadurch die Aktivierung des gewählten Konservierungszyklus an.

Falls die Zubereitung vor dem Erreichen der für die Funktionsweise festgesetzten Zeitgrenze fertig sein sollte, wird die Rührschaufel blockiert. Die Konservierungsfunktion aktiviert sich automatisch.

• **PROGRAMM SCHOCKFROSTEN.** Durch viermaliges Drücken der Drucktaste (11) leuchtet das Led (11d) auf und das Programm Schockfrostten wird in Betrieb gesetzt. Am Ende des Herstellungszyklus blinkt das Led (11d) und zeigt dadurch die Aktivierung des ausgewählten Konservierungszyklus an.

Dieses Programm wird benutzt, wenn von Mischungen mit hohen Temperaturen ausgegangen wird. Das Programm veranlasst, dass die Temperatur schnell gesenkt wird, ohne dass die Mischung zu viel Luft aufnimmt, wodurch Zeit gespart und die Qualität des hergestellten Gelato verbessert wird.

ÄNDERUNG DES AUSGEWÄHLTEN PROGRAMMS

Falls es, mit einem bereits gestarteten Programm, erforderlich sein sollte, ein anderes Programm auszuwählen, ist dies einfach durch das Drücken der Taste (11) möglich. Mit der Auswahl des neuen Programms wird das, sich in der Ausführung befindliche Programm angehalten. Das neue Programm ist sofort mit

seinen Ausführungszeiten aktiv, die von den Anfangswerten ab, neu starten.

ÜBERGANG VON DER AUTOMATISCHEN AUF DIE HANDGESTEUERTE BETRIEBSWEISE

Während des Verarbeitungsprogramms kann jederzeit auf den handgesteuerten Modus übergegangen werden. Während die Taste (11) für 3 Sekunden gedrückt gehalten wird, geht die Maschine in den handgesteuerten Modus über und schaltet zugleich das Led Schaufel (2a) und Kompressor (1a) ein.

Der ausgewählte Konservierungszyklus wird abgeschalten.

AUSSCHALTUNG DER MASCHINE WÄHREND DES BETRIEBS IM AUTOMATISCHEN MODUS

Falls es notwendig sein sollte, die Maschine vor der Beendigung des aktiven Verarbeitungsprogramms auszuschalten, ist die Taste (11) 3 Sekunden lang gedrückt zu halten und danach die Tasten Schaufel (2) und Kompressor (1) zu drücken, um jede Tätigkeit anzuhalten. Es ist zu vermeiden, direkt auf den Hauptschalter (10) einzuwirken!

Ä N D E R U N G D E S KONSERVIERUNGSZYKLUS WÄHREND DES BETRIEBS EINES PROGRAMMS

Der eingestellte Konservierungszyklus kann in der automatischen Zubereitungsphase jederzeit geändert werden. Die Drucktaste (12) bis zum Aufleuchten des, dem gewünschten Zyklus entsprechenden Led wiederholt drücken. Die Led blinkt 3 Sekunden und bleibt dann fest aufleuchtend: Der neue Konservierungszyklus ist an dieser Stelle ausgewählt und wird am Ende des Programms ausgeführt. Jedes Zubereitungsprogramm setzt an seinem Ende den ausgewählten Konservierungszyklus in Betrieb.

SCHAUFELBLOCKIERUNG BEI DECKELÖFFNUNG

Die Öffnung des Deckels (3) hält nur die Schaufel (5) an und hat keinen Einfluss auf das Zubereitungsprogramm.

Die Schließung des Deckels (3) startet die

Bewegung der Schaufel (5) (falls diese von dem ausgewählten Programm vorgesehen ist). Sollte die Mischung zu dickflüssig sein, so dass die Bewegung der Schaufel verhindert wird, setzt die Maschine automatisch den zuvor ausgewählten Konservierungszyklus in Betrieb.

AUTOMATISCHE KONSERVIERUNG

Es sind 4, für umfangreichere Bedürfnisse entwickelte, Konservierungszyklen für jedes Frostprogramm (16 Zyklen insgesamt) verfügbar.

- Es wird im automatischen Modus, falls die Maschine nicht angehalten wird, am Ende jedes Herstellungsprogramms, der gewählte Konservierungszyklus des Gelato in Betrieb gesetzt.
- Die Aktivierung der Konservierungsfunktion wird durch das Aufblinker des bezüglichen Led s d e s g e w ä h l t e n Herstellungsprogramms angezeigt.
- Die Wahl des gewünschten Konservierungszyklus kann sowohl am Anfang als auch während der Produktionsphase erfolgen.
- Je nach Rezeptart und/oder Vorbereitungsgröße, erlaubt jede Serie der Konservierungszyklen, in Verbindung mit der Schaufelgeschwindigkeit, Gelato, Crash-Eis oder andere einzufrierende Präparate, in den gewünschten Bedingungen zu erhalten.
- Durch mehrmaliges Drücken der Taste (12) leuchten nacheinander die Led der verschiedenen Konservierungszyklen auf. Vom ersten (LED12a aktiv) zum vierten (LED12d aktiv) Konservierungsprogramm übergehend, erhöht sich die Dickflüssigkeit des Gelato zunehmend.
- Nach der Auswahl des gewünschten Zyklus blinkt das entsprechende Led für 3 Sekunden und bleibt fest eingeschaltet, indem die Auswahl betriebsbereit wird.

Ä N D E R U N G D E S KONSERVIERUNGSZYKLUS

Es ist jederzeit möglich, einen anderen Konservierungszyklus (bezüglich des gleichen Herstellungsprogramms) zu wählen, sowohl während der aktiven Phase als auch während der Pause des Zyklus in Betrieb. Wiederholt die

Taste (12) drücken bis zur Aktivierung des Led des entsprechenden gewünschten Zyklus. Das Led blinkt für 3 Sekunden auf und leuchtet dann fest: der neue Konservierungszyklus ist damit gewählt und wird mit eigenen Ausführungszeiten durchgeführt. Falls die Notwendigkeit bestehen sollte, auf eine Serie von Konservierungszyklen eines Programms, das verschieden von dem zuvor gewählten ist, überzugehen, ist es erforderlich, vorher das entsprechende Programm in Betrieb zu setzen, indem man die Taste (11) drückt. Das Programm in Betrieb gesetzt, geht man auf die Konservierungsfunktion über, indem man die Tasten (2) und (1) für 3 Sekunden drückt. Die Maschine setzt eine Serie von Konservierungszyklen bezüglich des gewählten Programms in Betrieb.

Ü B E R G A N G V O N D E R KONSERVIERUNGSPHASE AUF EIN PRODUKTIONSPROGRAMM

Mit der aktiven Konservierung kann durch das bloße Drücken der Taste (11) ein automatisches Produktionsprogramm in Betrieb gesetzt werden. Das auf das ausgewählte Programm bezogene Led blinkt für 3 Sekunden und bleibt dann aufleuchtend; die Maschine verlässt den Konservierungszyklus und beginnt mit der Ausführung des ausgewählten Produktionsprogramms. Folgenderweise wird eine Serie von Konservierungszyklen des entsprechenden ausgewählten Programms in Betrieb gesetzt.

SCHAUFELBLOCKIERUNG BEI DECKELÖFFNUNG

Die Öffnung des Deckels (3) hält nur die Schaufel (5) an und hat keinen Einfluss auf die Zeiten des Konservierungszyklus.

Die Schließung des Deckels (3) startet die Bewegung der Schaufel (5) (falls diese zu diesem Zeitpunkt von dem ausgewählten Konservierungszyklus so vorgesehen ist). Sollte die Mischung so dickflüssig sein, dass die Bewegung der Schaufel verhindert wird, setzt die Maschine automatisch den ausgewählten Konservierungszyklus nochmals in Betrieb.

AUSSCHALTEN DER MASCHINE WÄHREND DER KONSERVIERUNG

Zum Ausschalten der Maschine ist die Taste (11) 3 Sekunden gedrückt zu halten und danach auf den Hauptschalter (10) einzuwirken. Das direkte Einwirken auf den Hauptschalter (10) ist zu vermeiden!

WICHTIG!

- Jeder Konservierungszyklus wird solange weitergeführt, bis der Bediener ihn unterbricht.
- **Die Maschine wurde nicht als Kühlbehälter zum Aufbewahren von Speiseeis oder als Gefrierzelle entwickelt!** Man empfiehlt das Präparat in dem Behälter nicht länger als 12 Stunden aufzubewahren.
- Das Kühlgebläse der Kühlanlage bleibt für die gesamte Konservierungszeitspanne immer in Betrieb.
- Die Maschine nach ihrem Gebrauch **IMMER** mit dem Hauptschalter (10) ausschalten.

NÜTZLICHE EMPFEHLUNGEN

- Durch die Verwendung von Zutaten mit Kühlschranktemperatur verringern sich die Bearbeitungszeiten. Außerdem kann die Temperatur der Zutaten, wenn sie warm sind, durch die Nutzung des Programms Schockfrostsenkung gesenkt werden.
- Es ist darauf zu achten, keine zu kalten oder fast gefrorenen Zutaten einzuführen; das Einfrieren könnte von schlechter Qualität sein.
- Für eine korrekte Zunahme der Menge während der Mischung, **sind für die Zubereitung von Gelato und Sorbets maximal 1.25kg Zutaten zu verwenden.**
- Für die Zubereitung von Crash-Eis beträgt die maximale Zutatenmenge 1kg, mit der im Lieferumfang der Maschine vorhandenen Schaufel.

Mit der besonderen Crash-Eis-Schaukel, die getrennt zu erwerben ist, können bis zu 1,5kg Crash-Eis verarbeitet werden.

REINIGUNG DES BEHÄLTERS

GELATO 5+5K TWIN CREA wurde für eine einfache Reinigung des Behälters gestaltet. Folgenderweise ausführen:

- Die Kühlanlage ausschalten, die Schaufel entfernen und mindestens 2 Liter heißes Wasser und Reinigungsmittel ohne Schaum

in den Behälter gießen.

- Den Behälter mit einem Schwamm waschen. **Keine schneidenden Instrumente im Inneren des Behälters verwenden.**
- Einen leeren Behälter, mit einem Fassungsvermögen von mindestens 3 Litern dem Abfluss (8) unterstellen.
- Den Verschluss (9) herausziehen. Das Wasser des Behälters fängt an, in das unterstehende Gefäß zu fließen.
- Die Handlung mit heißem und sauberem Wasser zu einer gründlichen Spülung wiederholen.
- Wenn der Behälter leer ist, das Abflussrohr mit dem vorgehend gesäuberten Rohrreiniger(14), reinigen.
- Den Verschluss (9) bis zur Schließung des Behälterabflusses anbringen.
- Falls notwendig, den Zyklus bis zur vollständigen Reinigung des Behälters wiederholen.
- Mit Einweg-Papiertuch trocknen.

INSTANDHALTUNG UND REINIGUNG DER MASCHINE

- Bevor mit der Reinigung der Maschine begonnen wird, ist sicherzustellen, dass sie ausgeschaltet (Hauptschalter (10) auf OFF) und der Stecker aus der Steckdose gezogen ist.
- Die Schaufeleinsätze entfernen.
- Stahlbolzen entfernen und den transparenten Deckel (3) von der Maschine nehmen.
- Die Schaufel(5), Schaufeleinsätze, der transparente Deckel (3) und der Befestigungsring (4) können im Geschirrspüler oder mit heißem Wasser mit einem geeigneten Reinigungsmittel gewaschen werden.
- Sind die Schaufeleinsätze beschädigt oder Abgenutzt, müssen sie ersetzt werden, um zu vermeiden, dass die Mischung der Zutaten weniger wirksam ist.
- Den Behälter mit einem Schwamm waschen. **Keine schneidenden Instrumente im Inneren des Behälters verwenden.**
- Maschinenkörper und die nicht abnehmbaren Teile mit dem im Kapitel HYGIENEHERSTELLUNG angegebenen Produkt reinigen.

WICHTIG: Die Maschine nicht mit Wasserstrahl reinigen! Enthält elektrische Teile.

- Sorgfältig mit einem saugfähigen Einweg-Tuch trocknen, um zu vermeiden, dass sich irgendwelche Ablagerungen bilden.
- Die Lüftungsgitter (6) im hinteren und unteren Teil der Maschine mindestens ein Mal im Jahr reinigen.
- In regelmäßigen Zeitabständen (mindestens ein Mal alle 3 Monate) ist der Ölspritzring (13) am Kopf der Welle zu kontrollieren: Falls nötig, auswechseln oder mit Fett der Kategorie H1 oder hochwertiger schmieren. Ein eigens entwickeltes Schmierfett kann bei jedem zugelassenen Kundendienst angefordert werden. Eine Ersatzölabdichtung (13) wird zusammen mit der Maschine zur Verfügung gestellt.

HYGIENEHERSTELLUNG

Die Hygieneherstellungsvorgänge erlauben, einen bemerkenswerten Teil der Mikroorganismen zu beseitigen. Deren Zellen und Sporen finden, auch dank der Verarbeitungsreste, günstige Bedingungen für ihr Überleben und ihre Vermehrung. Sie werden am Ende des täglichen Herstellungszyklus oder, wenn notwendig häufiger ausgeführt. Die Hygieneherstellung besteht aus zwei Phasen:

- **REINIGUNG** Entfernt den Schmutz (grobe Reste) und sieht eine Spülung mit lauwarmem Wasser sofort nach dem Arbeitssende vor; Der Reinigungsvorgang besteht aus der Handabreibung und dem Wasserdruck. Der Gebrauch eines chemischen Reinigungsmittels beschränkt die oben erforderte Handreinigung, hebt sie aber nicht auf. **ACHTUNG:** Die bloße Reinigung, wie gewissenhaft sie sei, garantiert nicht die komplette Beseitigung der mikrobiellen Verunreinigungen. Wie folgend handeln:
 - Den groben Schmutz mechanisch entfernen.
 - Anfangs mit heißem Wasser, von einer Temperatur höher als 45°C, spülen, um die Fette zu lösen und das Abtrennen zu fördern, aber niedriger als 60°C, um das "Kochen" der Proteine, der Zucker oder Fette zu vermeiden, das sie noch hartnäckiger festsitzen lässt. Was Instrumente und abnehmbare Teile betrifft, genügt ein Eintauchen von circa 15 Minuten.

- Das Reinigungsmittel anwenden: Weil der größte Teil der Lebensmittelreste (Proteine und Fette) sich nicht in Wasser löst, um sie vollständig zu beseitigen, ist es notwendig, ein Reinigungsmittel zu verwenden, das den Schmutz von der Oberfläche abtrennt und die Beseitigung mit der darauffolgenden Spülung ermöglicht.

- **Endspülung** mit Leitungswassertemperatur, bei Eintauchen mindestens 5 Minuten.

- **DESINFEKTION** Die Desinfektion (oder Dekontamination) bedeutet die sichere Zerstörung der nicht-sporigen krankheitserregenden Bakterien und die verstärkte Verminderung der Anwesenheit der nicht-pathogenen und nicht-sporigen Bakterien. Die Reinigungs- und Desinfektionsvorgänge sind getrennt auszuführen. Nach der Reinigung, mit der Desinfektion fortschreiten. Wie folgend fortfahren:

- Ein spezifisches Desinfektionsmittel für den Gebrauch in der Lebensmittelindustrie verwenden. Kontrollieren, dass auf der Packung folgende Eigenschaften geschildert sind:

- Desinfektionsmittel, Medizinprodukt oder gleichwertiges.
- Registriernummer bei der Gesundheitsbehörde.
- Aufschrift, "in der Lebensmittelindustrie verwenden".
- Dosierung und Verwendungszeiten.
- Zusammensetzung, Hersteller, Warennummer und Herstellungsdatum.
- Sicherheitswarnungen für den Gebrauch.

- Das Desinfektionsmittel nach den Herstelleranweisungen verdünnen.

ACHTUNG: Das Einsparen beim Desinfektionsmittel kann das Überleben der Bakterien auf gefährlicher Ebene Erlauben, wie auch der Überschuss an Wirkstoff die Wirksamkeit nicht verbessert.

- Das Desinfektionsmittel für die angegebene Kontaktzeit wirken lassen. Eine zu kurze Kontaktzeit kann die Desinfektion unwirksam werden lassen.
- Zu einer korrekten Ausführung der verschiedenen Vorgänge, ist es nötig, die Reinigung von oben nach unten, am Boden endend, durchzuführen.
- Nach der Anwendung des Desinfektionsmittels die Reste mit der Endspülung entfernen.

- Es ist besonders auf die Reinigung des Abflusses zu achten .
- Die Oberflächen sorgfältig trocknen, um die Vermehrung der Bakterien in feuchtem Umfeld zu vermeiden;
- Man empfiehlt, alle 6 Monate des Desinfektionstyp zu wechseln, um die Selektion der widerstandsfähigen Bakterien zu vermeiden. Die bakteriellen Sporen sind widerstandsfähige, biologische Formen und deshalb ist es vorzuziehen, Produkte auf Chlorbasis zu verwenden.

EVENTUELLE PROBLEME UND LÖSUNGEN

•**Die Maschine erzeugt keine Kälte:**

- Kontrollieren, dass der Versorgungsstecker korrekt eingeführt ist und der Strom zum Gerät gelangt.
- Die Sicherheitsvorrichtung des Kompressors ist aktiviert: vor dem erneuten Anlassen der Maschine 5-10 Minuten warten. Wiederholte und kontinuierliche Startversuche verlängern nur die Stillstandzeit der Maschine.
- Kontrollieren, dass die Maschine korrekt aufgestellt ist und die Lüftungsgitter (6)dabei frei von jeder Verstopfung sind.
- Kontrollieren, dass die Maschine keinen Konservierungszyklus ausführt (Led (11a,b,c,d) blinkt), der das Anhalten des Kompressors vorsieht.
- Kontrollieren, dass die Steuertafel beim Einschalten der Maschine (Schalter (10)) das korrekte Anfangsverfahren anzeigt, bei dem nacheinander alle Led eingeschaltet werden.

•**Die Schaufel dreht sich nicht:**

- Kontrollieren, dass die Schaufel (5) korrekt an der Welle eingehakt und mit dem vorgesehenen Befestigungsring (4) blockiert ist.
- Kontrollieren, dass sie frei von Hindernissen ist, die ihre Drehung verhindern.
- Sicherstellen, dass der Deckel in der korrekten Position geschlossen ist: Eine Sicherheitsvorrichtung hält die Schaufel an, wenn der Deckel geöffnet wird.
- Kontrollieren, dass das Led Schaufel (2a) nicht blinkt. In diesem Fall ist die Drucktaste (2) zwei Mal zu drücken, um die Schaufel wieder zu starten. Sicherstellen, dass die Mischung nicht zu fest ist, so dass sie die Drehung der Schaufel zu verhindert.

- Sicherstellen, dass die Maschine keinen Konservierungszyklus ausführt (Led (11a-b-c-d) blinkt), der das Anhalten der Schaufel vorsieht.

•**Die Maschine ist geräuschkvoll:**

- Eine gewisse Geräusentwicklung gehört zum normalen Funktionsbetrieb; sollte sie jedoch zu hoch werden, ist zum Kundendienst Kontakt aufzunehmen, um zukünftige und schwere Probleme zu vermeiden.

•**Die Ablassschraube verliert:**

- Ersetzen die Dichtungen . Mit der Maschine werden zwei zusätzliche Kit von Dichtungen (16) zur Verfügung gestellt.

•**Die Kunststoffhülse (17) bleibt nicht mehr auf der Schaufel anhängen:**

- Ersetzen die Dichtung der Hülse. Mit der Maschine werden vier Dichtungen (15) zur Verfügung gestellt.

WIRKUNG	TASTENKOMBINATION
SCHAUFELAKTIVIERUNG	2
KOMPRESSORAKTIVIERUNG	1
PROGRAMMAKTIVIERUNG	11
KONSERVIERUNGSAKTIVIERUNG	1+2 (3 Sekunden)
AUSSCHALTUNG VON PROGRAMM	11 (3 Sekunden) dann 1 und 2
AUSSCHALTUNG VON KONSERVIERUNG	11 (3 Sekunden)
PROGRAMMWECHSEL	11
KONSERVIERUNGSWECHSEL	12
PROGRAMMAKTIVIERUNG VON KONSERVIERUNG*	11**
PROGRAMMAKTIVIERUNG VON KONSERVIERUNG***	11

*Wenn Konservierung nach einem Programm aktiviert ist.

**Um ein Programm zu aktivieren, dessen Led blinkt, zuerst ein anderes Programm auswählen.

***Wenn Konservierung aktiv ist ohne Programme auszuführen.

ALGEMENE VEILIGHEIDSVORSCHRIFTEN

Als men elektrische apparaten gebruikt, dient men zich zorgvuldig aan bepaalde veiligheidsnormen te houden:

- Lees de gebruiksaanwijzingen aandachtig door voordat u het apparaat installeert en in gebruik neemt.
- Dompel de machine niet onder in water of andere vloeistoffen; dit kan elektrische schokken veroorzaken.
- Dit apparaat is niet bedoeld voor gebruik door personen (inclusief kinderen) met verminderde lichamelijke, zintuiglijke of geestelijke vermogens of gebrek aan ervaring en kennis, tenzij ze toezicht of instructies over het gebruik van het apparaat hebben gekregen van de persoon die verantwoordelijk is voor hun veiligheid. Op kinderen moet toezicht gehouden worden om er zeker van te zijn dat ze niet met het apparaat spelen.
- Haal de stekker uit het stopcontact als u het apparaat niet gebruikt en voordat u het monteert of schoonmaakt.
- Raak geen bewegende delen aan. Raak een apparaat dat in bedrijf is niet aan met uw handen, spatels of andere instrumenten en zorg ervoor dat uw haar of kleding er niet in verstrikt kunnen raken, zodat u het niet beschadigt of u zelf niet verwondt.
- Gebruik het apparaat niet als de stroomkabel of de stekker beschadigd zijn, als er een storing geweest is tijdens de werking of nadat het is gevallen of hoe dan ook beschadigd is. In deze gevallen verdient het aanbeveling om het apparaat voor reparatie naar het dichtstbijzijnde erkende servicecentrum te brengen.
- Het gebruik van niet-originele of niet-specifiek voor dit apparaat door de fabrikant aanbevolen hulpmiddelen of onderdelen kan brandgevaar, elektrische schokken of ongevallen veroorzaken.
- Gebruik het apparaat niet in de open lucht.
- Zorg ervoor dat de stroomkabel niet over de rand van de tafel of het werkblad hangt en dat hij niet met hete oppervlakken in aanraking komt.

BEWAAR DEZE AANWIJZINGEN

LET OPI

- Alle handelingen die niet tot de normale schoonmaak- of onderhoudswerkzaamheden behoren, dienen te worden uitgevoerd door een erkend servicecentrum met deskundig personeel.
- Controleer na het uitpakken of het apparaat in perfecte staat is. In geval van twijfel dient u het apparaat niet te gebruiken en dient u zich tot een erkend servicecentrum te wenden.
- Plastic zakjes, polystyreen, spijkers enz. zijn gevaarlijk en mogen niet in de buurt van kinderen worden bewaard.
- De fabrikant en de verkoper kunnen niet aansprakelijk worden gesteld voor eventuele schade die voortvloeit uit het niet naleven van de aanwijzingen in deze gebruikshandleiding.
- Controleer of de spanning vermeld op het serieplaatje van het apparaat overeenstemt met de netspanning in uw gebied.
- Gebruik nooit scherpe voorwerpen of puntig keukengerei in de korf die deze kunnen beschadigen. Schakel het apparaat uit en gebruik een rubberen spatel of een houten lepel.
- Maak het apparaat niet schoon met schurende middelen of voorwerpen.
- Plaats het apparaat niet op hete oppervlakken of in de buurt van open vuur.
- Trek niet aan de kabel om de stekker uit het stopcontact te halen.
- Het is verplicht het apparaat aan te sluiten op een goed functionerend stroomnet dat geaard is, met behulp van een stopcontact van minimaal 16A. De fabrikant kan niet aansprakelijk worden gesteld voor schade aan voorwerpen of personen die voortvloeit uit het niet naleven van deze veiligheidsvoorschriften.
- Voordat u het apparaat schoonmaakt of onderhoudt, dient u altijd te controleren of de stekker uit het stopcontact is gehaald.
- Was het apparaat nooit onder een waterstraal en dompel het nooit onder in water!
- Dit apparaat is geschikt voor 43° C max. omgevingstemperatuur (klimaatklasse "T").

BELANGRIJK: Tijdens het transport kan de machine ondersteboven hebben gestaan. Laat daarom de machine ten minste 12 uur voordat u deze voor het eerst in gebruik neemt horizontaal op een vlak oppervlak staan zodat de koelvloeistoffen weer naar onder kunnen vloeien.

Laat voor een correcte ventilatie altijd een vrije ruimte van 20 cm rondom de machine. Zorg ervoor dat de ventilatieroosters niet verstopt raken.

Dutch

- | | | |
|---|------------------------------------|---|
| 1). Knop koeling. | 10). Oplichtende hoofdschakelaar. | 12a). Led conserveringscyclus nr.1. |
| 1a). Led werking Koelinstallatie. | 11). Programma's keuzeknop. | 12b). Led conserveringscyclus nr.2. |
| 2). Knop menger. | 11a). Led programma Italiaans IJs. | 12c). Led conserveringscyclus nr.3. |
| 2a). Led werking menger. | 11b). Led programma Softijs. | 12d). Led conserveringscyclus Nr.4. |
| 3). Doorschijnend deksel. | 11c). Led programma Slush. | 13). Dichtingsring. |
| 3a). Ingrediënten toevoeropening met dop. | 11d). Led programma Snelkoeling. | 14). Kwast. |
| 4). Borging menger. | 12). Conserveringstijd keuzeknop. | 15). Set dichtingen (o ring) voor centrale ring voor as van menger. |
| 5). Mengerschoep. | | 16). Set dichtingen voor afvoerdop. |
| 6). Ventilatiooster. | | 17). Centrale ring van as van menger. |
| 7). Spatel. | | |
| 8). Fitting waterafvoer. | | |
| 9). Dop waterafvoer. | | |

Gefeliciteerd!

U heeft zojuist een moderne NEMOX ijsmachine gekocht.

Met dit product kunt u ijs, sorbets en slush maken en kunt u de bereidingen in het reservoir conserveren, zodat altijd de juiste serveertemperatuur en consistentie wordt gewaarborgd.

De **Gelato 5+5K TWIN CREA** bestaat uit twee zelfstandige ijsmachines in één apparaat.

Een ingebouwde computer helpt u bij de bereiding. Uw professionaliteit wordt benadrukt en u bespaart moeite en tijd.

Uw ijsmachine kan op twee verschillende manieren functioneren:

- **In manueel functioneren** de compressor en de menger afzonderlijk zodat u het beste kunt halen uit uw ervaring. Het conserveringssysteem kan worden gestart als u dit nodig vindt. Een elektronisch systeem brengt de menger tot stilstand als de bereiding een te stevige consistentie heeft om nadelige gevolgen voor de mechanische functies van de machine te vermijden. De koelinstallatie blijft echter functioneren tot u ze manueel uitschakelt.

- **In automatisch kan** voor elk productietype eerst één van de 4 werkprogramma's (klassiek Italiaans ijs, softijs, slush, snelkoeling) en 4 conserveringsprogramma's worden gekozen.

U maakt uw keuzes en start de ijsmachine.

De ijsmachine bereidt het ijs en start vervolgens automatisch de gewenste conservering.

U serveert het ijs met altijd de juiste

consistentie aan uw klanten.

EERSTE GEBRUIK

- Plaats **GELATO 5+5K TWIN CREA** op een vlak oppervlak. Controleer of de ventilatioosters (6) niet zijn verstopt. Houd rondom de ventilatioosters een minimum afstand van 10 cm vrij.
- Bewaar tijdens het gebruik van het apparaat voldoende afstand tussen het toestel en muren of meubels om de stromingen van koellucht niet te belemmeren. De afgifte van lauwe of warme lucht tijdens de werking is normaal daar het toestel voor de koeling warmte uitwisselt met de omgeving.
- Laat voor het eerste gebruik de machine minstens 8 uur horizontaal staan indien de machine tijdens het transport niet rechtop heeft gestaan, zodat de koelmiddelen zich stabiliseren.
- Alvorens de machine te gebruiken, moeten de delen die rechtstreeks of onrechtstreeks in contact komen met de voedingsmiddelen (kuip, menger, schoep, bevestigingsring, deksel enz.) zorgvuldig worden gereinigd.
- Hygiëne is heel belangrijk als u levensmiddelen verwerkt. Neem zorgvuldig de aanwijzingen van de hygiënenormen in acht die in uw land van toepassing zijn (HACCP en dergelijke).

HET MENGSEL BEREIDEN

Kies het recept en bereid het mengsel voor, houd daarbij rekening met het volgende:

- Behandel de ingrediënten conform de voorschriften van de hygiënenormen die in uw land van toepassing zijn (HACCP en dergelijke).

- Vul voor de bereiding van ijs en sorbets het reservoir met **niet meer dan 1,25kg mengsel**, Zodat het volume tijdens het mengen op juiste wijze kan toenemen.
- Voor de bereiding van slush raden we een maximum hoeveelheid van 1kg mengsel aan met deze menger. Met de apart verkrijgbare speciale Slush Menger kunt u tot 1,5kg slush bereiden.
- Wij adviseren de mengeling op een temperatuur begrepen tussen +10°C en +20°C in het toestel te gieten. Op een hogere temperatuur kunnen de productietijden aanzienlijk verhogen.

GEBRUIKSWIJZE

- **Gelato 5+5K TWIN CREA** is samengesteld uit twee dezelfde groepen die volkomen onafhankelijk en zelfstandig werken: hier is te zien hoe één enkele groep werkt.
- Controleer of de spanning op het typeplaatje en de netspanning met elkaar overeenstemmen. Steek de stekker in het stopcontact en schakel via de hoofdschakelaar (10) het apparaat in; het lampje gaat branden om aan te duiden dat het toestel onder spanning staat. De elektronische kaart voert een controle uit en de leds van het bedieningspaneel worden achtereenvolgens ingeschakeld.
- Breng de menger (5) aan in het reservoir; draai hem rechtsom tot hij op de bodem van het reservoir komt te staan.
- Schroef de borgring (4) volledig vast zodat de menger goed is bevestigd.
- Giet het eerder bereide mengsel in het reservoir.
- Sluit het deksel (3).

GEBRUIK IN MANUEEL

- Start de koelinstallatie via een druk op knop (1); de led (1a) gaat branden.
BELANGRIJK: wacht een aantal minuten voor u de machine weer inschakelt als ze wordt uitgeschakeld wegens een tijdelijke stroomuitval of het ongewenst indrukken van de knop van de koelinstallatie.
- Start de menger via een druk op de knop (2); de led (2a) gaat branden. De productiecyclus start. De bereidingstijd varieert naargelang de hoeveelheid, de temperatuur van het mengsel, het soort product (ijs, sorbet of

slush) en de omgevingstemperatuur.

BELANGRIJK: De werking van de menger is volledig onafhankelijk van de koelinstallatie. Een veiligheidsinrichting brengt de menger tot stilstand zodra het deksel wordt geopend.

Als het deksel lange tijd open blijft, zal de koelinstallatie blijven werken. Het is bijgevolg mogelijk dat als het deksel wordt gesloten, de menger niet start of stopt wegens een te stevige consistentie van het mengsel. In dit geval brengt de elektronische controle de menger definitief tot stilstand en gaat de led (2a) knipperen om de storing te melden.

Schakel de compressor uit via de knop (1) en schakel de menger uit via de knop (2) als de bereiding nog niet is voltooid. Wacht tot het mengsel zachter is geworden en hervat de productie.

- De gemiddelde bereidingstijd is 15/20 minuten, naargelang de hoeveelheid ingrediënten en het gekozen recept.
- Door de opening (3a) in de deksel kunt u extra ingrediënten toevoegen (bijv. om het ijs tijdens de laatste bereidingsfase een andere smaak te geven).
- Als het ijs de gewenste consistentie heeft bereikt, het koelcircuit uitschakelen, op de knop (1) drukken en de menger via de knop (2) stoppen. Om de bereiding gemakkelijk uit het reservoir te verwijderen, de menger (5) verwijderen door de borgring (4) los te draaien.

MANUELE START VAN DE CONSERVERINGS CYCLUS

- U kunt op elk ogenblik manueel de conserveringscyclus activeren indien nodig. Houd 3 seconden gelijktijdig de drukknoppen menger(2) en compressor (1) ingedrukt. De machine zal onmiddellijk naar de conserveringscyclus overgaan, overeenstemmend met het productieprogramma van klassiek Italiaans ijs. De led (12a) zal aangaan.
- Als u een conservering wilt uitvoeren, overeenstemmend met een ander productieprogramma, moet u het gewenste productieprogramma kiezen vooraleer over te schakelen van de manuele werking naar conservering (zie paragraaf "WIJZIGING VAN DE CONSERVERINGS CYCLUS")

AUTOMATISCH GEBRUIK

De machine **GELATO 5+5K TWIN CREA** beschikt over een reeks programma's die de productie en de conservering automatiseren.

- Volg de aanwijzingen van de paragraaf "GEBRUIKSWIJZE".
- Door op de knop (11) te drukken, start het apparaat in automatische werkwijze en kiest het eerste werkprogramma. De led knippert 3 seconden. Zolang de led knippert, kunt u sequentieel de andere programma's kiezen door weer op de knop (11) te drukken.
- Het gekozen programma en de productiecyclus starten als de led vast brandt.
- De machine beschikt over 4 productieprogramma's en 4 conserveringscycli voor elk productieprogramma. Bij de activering van het gekozen programma kunt u ook de gewenste conserveringscyclus kiezen. De keuze van de conserveringscyclus geschiedt door herhaaldelijk de toets (12) in te drukken. Van het eerste naar het vierde conserveringsprogramma verhoogt de consistentie van het bewaarde ijs geleidelijk.
- Als het ijs de juiste consistentie bereikt, zal het productieprogramma automatisch stoppen en de gekozen conserveringscyclus start.
- Elk productieprogramma heeft een voorbepaalde tijdslimiet. Als deze is verstreken, zal de machine hoe dan ook automatisch tot de conservering overgaan.
- U kunt op elk gewenst ogenblik de gekozen conserveringscyclus starten en dus het programma onderbreken als u dit nodig acht. Kies de gewenste conserveringscyclus via de toets 12 (sequentiële selectie). Houd 3 seconden gelijktijdig de drukknoppen menger (2) en compressor (1) ingedrukt. De machine zal onmiddellijk van de productiecyclus naar de conservering overschakelen.
- **PROGRAMMA KLASSIEK ITALIAANS IJS EN SORBET.** Als u een keer op de knop (11) drukt, gaat de led (11a) branden en het gekozen programma wordt geactiveerd. Na afloop van de productie knippert de led (11a)

om te melden dat de gekozen conserveringscyclus start.

De menger komt tot stilstand als de bereiding voor het einde van de tijd klaar is. De conservering start automatisch.

- **PROGRAMMA SOFTIJS.** Als u een keer op de knop (11) drukt, gaat de led (11b) branden en het gekozen productieprogramma wordt geactiveerd. Na afloop van de productie knippert de led (11b) om te melden dat de gekozen conserveringscyclus start.

De menger komt tot stilstand als de bereiding voor het einde van de tijd klaar is. De conservering start automatisch.

- **PROGRAMMA SLUSH.** Als u driemaal op de knop (11) drukt, gaat de led (11c) branden. Het programma voor de bereiding van slush start. Na afloop van de productie knippert de led (11c) om te melden dat de gekozen conserveringscyclus start.

De menger komt tot stilstand als de bereiding voor het einde van de tijd klaar is. De conservering start automatisch.

- **PROGRAMMA SNELKOELING.** Door vier keer op de drukknop (11) te drukken, gaat de led (11d) aan en start het programma snelkoeling. Na afloop van de productie knippert de led (11d) om te melden dat de gekozen conserveringscyclus start. Dit programma gebruikt u als het mengsel te warm is. Dit programma vermindert snel de temperatuur zonder dat te veel lucht aan het mengsel wordt toegevoegd, waardoor u tijd bespaart en de kwaliteit van het ijs verbetert.

WIJZIGING VAN HET GEKOZEN PROGRAMMA

Druk op knop (11) als u van programma wilt veranderen. Bij de selectie van het nieuwe programma zal het programma in uitvoering worden gestopt. Het nieuwe programma wordt onmiddellijk gestart met de bijbehorende bereidingstijd. De tijd begint vanaf nul te lopen.

VAN AUTOMATISCHE WERKING NAAR MANUELE WERKING

Tijdens het productieprogramma kunt u op ieder gewenst ogenblik overgaan naar de manuele werking.

Als u de knop (11) 3 seconden ingedrukt houdt, wordt de manuele werking geactiveerd.

De led menger (2a) en compressor (1a) gaan branden.

De gekozen conserveringscyclus wordt gedeactiveerd.

DE MACHINE UITSCHAKELEN TIJDENS DE AUTOMATISCHE WERKING

Als een uitschakeling van de machine is vereist voor het productieprogramma is voltooid, moet u eerst de manuele werking activeren door de toets (11) 3 seconden ingedrukt te houden. Druk vervolgens op de knoppen menger (2) en compressor (1) zodat alle activiteiten worden onderbroken. Vermijd de hoofdschakelaar (10) te gebruiken!

DE CONSERVERINGSCYCLUS WIJZIGEN TIJDENS DE UITVOERING VAN EEN PROGRAMMA

Tijdens de automatische bereidingsfase kunt u op elk ogenblik de ingestelde conserveringscyclus wijzigen. Druk meerdere keren op de knop (12) tot de led van de gewenste cyclus gaat branden. De led knippert 3 seconden en blijft vervolgens branden: u heeft de nieuwe conserveringscyclus gekozen die na verloop van het productieprogramma zal starten. Elke bereidingsprogramma zal na verloop de gekozen conserveringscyclus activeren.

BLOKKERING VAN DE MENGER BIJ OPENING VAN HET DEKSEL

Als u het deksel (3) opent, zal enkel de menger (5) stoppen en wordt het productieprogramma hierdoor niet beïnvloed.

De menger (5) gaat weer draaien als het deksel (3) wordt gesloten (als het gekozen programma dit voorziet). De machine activeert automatisch de gekozen conserveringscyclus als het mengsel te stevig is en hierdoor het draaien van de menger wordt belet.

AUTOMATISCHE CONSERVERING

4 verschillende conserveringscycli zijn beschikbaar voor elk bindprogramma (in totaal 16 cycli) om aan de meest uiteenlopende eisen te voldoen.

- Bij de automatische werking, als de machine niet wordt gestopt, wordt na afloop van elk programma de gekozen conserveringscyclus gestart.
- De activering van de conserveringsfunctie

wordt gemeld door het knipperen van de led die overeenstemt met het gekozen productieprogramma.

- U kunt de gewenste conserveringscyclus bij aanvang of tijdens de productiefase kiezen.
- Naargelang het recept en/of de hoeveelheid, laat elke conserveringscyclus in combinatie met de mengsnelheid toe het ijs, de slush of andere bereidingen in de gewenste toestand te behouden.
- Door meerdere keren op de drukknop (12) te drukken gaan de led, behorende bij de verschillende conserveringscycli, achtereenvolgens aan. Van het eerste (LED (12a) actief) naar het vierde (LED (12d) actief) conserveringsprogramma zal de dichtheid van het ijs geleidelijk toenemen.
- Als u de gewenste cyclus heeft gekozen, zal de bijbehorende led 3 seconden lang knipperen en vervolgens vast branden.

WIJZIGING VAN DE CONSERVERINGSCYCLUS

Zowel tijdens de actieve fase als tijdens de cycluspauze kunt u een nieuwe conserveringscyclus kiezen (overeenstemmend met hetzelfde productieprogramma). Druk meerdere keren op de knop (12) tot de led van de gewenste cyclus gaat branden. De led knippert 3 seconden en blijft vervolgens vast branden: u heeft de nieuwe conserveringscyclus gekozen die onmiddellijk met de bijbehorende tijd zal worden gestart.

Indien het nodig zou blijken een reeks conserveringscycli uit te voeren die bij een ander programma behoren, moet dit programma eerst worden gestart door op de toets (11) te drukken. Na het starten van het programma moeten de knoppen (2) en (1) 3 seconden gelijktijdig worden ingedrukt om naar de conserveringsfunctie te gaan. De machine zal de reeks conserveringscycli starten overeenstemmend met het gekozen programma.

VAN EEN CONSERVERINGSFASE NAAR EEN PRODUCTIEPROGRAMMA

Als de conservering actief is, is het mogelijk een automatisch conserveringsprogramma te activeren door op de toets (11) te drukken.

De led, overeenstemmend met het programma, zal 3 seconden knipperen en nadien vast branden. De machine zal de conserveringscyclus verlaten en het gekozen productieprogramma starten.

De reeks conserveringscycli, overeenstemmend met het gekozen programma, zal bijgevolg starten.

BLOKKERING VAN DE MENGER BIJ OPENING VAN HET DEKSEL

Het openen van het deksel (3) stopt enkel de menger (5) en beïnvloedt de tijden van de conserveringscyclus niet.

Het sluiten van het deksel (3) start het draaien van de menger (5) (als de gekozen conserveringscyclus het op dat ogenblik voorziet). Als het mengsel te stevig is waardoor het de menger belet te draaien, zal de machine automatisch opnieuw de conserveringscyclus van het begin af aan activeren.

UITSCHAKELING VAN DE MACHINE TIJDENS DE CONSERVERING

Druk 3 seconden op de knop (11) en schakel de machine vervolgens uit met de hoofdschakelaar (10). Vermijd rechtstreeks de hoofdschakelaar (10) te gebruiken.

BELANGRIJK

- Elke conserveringscyclus blijft lopen tot de gebruiker besluit hem te onderbreken.
- **De machine werd niet ontworpen om als koelkast of koelcel te worden gebruikt.** Conserveer het product niet langer dan 12 uur in het reservoir.
- De koelventilator van de koelinstallatie blijft altijd draaien tijdens de conserveringscyclus.
- Schakel de machine na gebruik STEEDS uit via de hoofdschakelaar (10).

NUTTIGETIPS

- De productietijd is korter als u in de koelkast gekoelde ingrediënten gebruikt. U kunt met het programma snelkoelen de productietijd van warme ingrediënten beperken.
- Giet geen te koude of bijna bevroren ingrediënten in het reservoir waardoor u een slechte kwaliteit van het eindproces verkrijgt.
- Gebruik voor een juiste toename van het volume tijdens **mengen maximaal 1,25kg ingrediënten** voor het bereiden van ijs of

sorbet.

- Voor de bereiding van slush raden we een maximum hoeveelheid van 1Kg mengsel aan als de meegeleverde menger wordt gebruikt. Met de apart verkrijgbare speciale Slush Menger kunt u tot 1,5kg slush bereiden.

REINIGING VAN HET RESERVOIR

GELATO 5+5K TWIN CREA is zo ontworpen dat u het reservoir gemakkelijk kunt reinigen. Ga als volgt te werk:

- Schakel de koelinstallatie uit, demonteer de menger en vul het reservoir met minstens 2 liter warm water en een niet schuimend reinigingsmiddel.
- Maak het reservoir schoon met een spons.
Gebruik geen scherpe voorwerpen in het reservoir.
- Plaats een recipiënt met een inhoud van minstens 3 liter onder de afvoer (8).
- Verwijder de dop (9). Het water in het reservoir stroomt naar de onderstaande recipiënt.
- Herhaal deze handeling met warm en zuiver water voor een zorgvuldige spoeling.
- Als het reservoir leeg is, kan de afvoerbus met de borstel (14) worden gereinigd.
- Zet de dop (9) weer op zijn plaats tot de afvoer van het reservoir is gesloten.
- Herhaal eventueel de procedure tot het reservoir helemaal schoon is.
- Droog met huishoudpapier.

ONDERHOUD EN REINIGING VAN DE MACHINE

- Controleer of de machine is uitgeschakeld (hoofdschakelaar (10) op OFF) en de stekker uit het stopcontact is gehaald voor u ze reinigt.
- Verwijder de elementen van de menger.
- Demonteer de stalen pen en verwijder het doorschijnend deksel (3) van de machine.
- De menger (5), de elementen, het doorschijnend deksel (3) en de borgring (4) kunnen in de vaatwasmachine of met warm water en een geschikt afwasmiddel worden schoongemaakt.
- Om te vermijden dat de ingrediënten minder goed worden gemengd, moeten de elementen van de menger vervangen worden als ze versleten of beschadigd zijn.

- Maak het reservoir schoon met een spons.
Gebruik geen scherpe voorwerpen in het reservoir.
- Maak het machinelichaam en de delen die niet kunnen worden verwijderd schoon met het product, aangeduid in het hoofdstuk SANEREN.
BELANGRIJK: maak de machine niet schoon met waterstralen! Bevat elektrische onderdelen.
- Maak zorgvuldig droog met een absorberend wegwerpdoek om vlekken te vermijden.
- Reinig minstens jaarlijks de ventilatieroosters (6) op de achterzijde en onderzijde van de machine.
- Controleer regelmatig (minstens om de 3 maanden) de dichtingring (13) op de kop van de drijfjas: vang hem of smeer hem met vet uit categorie H1 of hoger. Bij een erkend servicecentrum kunt u speciaal vet bestellen. Een extra dichtings ring (13) wordt bij de machine geleverd.

SANEREN

Door het saneren wordt een groot deel van de micro-organismen verwijderd, daar de cellen en sporen dankzij het bewerkingsresidu hier gunstige voorwaarden voor hun overleving en proliferatie vinden. Het saneren moet na een dagelijkse productiecycclus worden uitgevoerd of zelfs vaker indien nodig. Het saneren bestaat uit twee fases:

- **REINIGING.** Verwijdert het vuil (grote resten) en voorziet, onmiddellijk na afloop van het werk, een spoeling met lauw water; het reinigen moet door wrijven en met persstralen worden uitgevoerd. Door het gebruik van een chemisch detergens wordt de manuele reiniging eenvoudiger maar mag ze echter niet achterwege worden gelaten.
- **OPGELET:** de reiniging, ook al wordt ze zeer zorgvuldig uitgevoerd, is niet voldoende om microbiële verontreiniging volledig te elimineren. Ga als volgt te werk:
 - Verwijder mechanisch het meeste vuil.
 - Spoel eerst met warm water, tussen 45°C en 60°C, om het vet op te lossen en de onthechting ervan te vergemakkelijken en te vermijden dat de proteïnes, de suiker of het vet “koken” waardoor ze zich nog hardnekkiger hechten. Voor het gereedschap en de demonteerbare delen

is een onderdompeling van 15 minuten voldoende.

- Gebruik detergens: daar de meeste voedselresten (proteïnes en vet) niet in water oplossen, moet detergens worden gebruikt om de resten van het oppervlak te onthechten zodat ze door een daaropvolgende spoeling kunnen worden verwijderd.
- Spoel na onderdompeling minstens 5 minuten met kraanwater op kamertemperatuur.
- **DESINFECTEREN.** De desinfectie (of ontsmetting) is de vernietiging van niet-sporenvormende pathogene bacteriën en de drastische beperking van niet-pathogene en niet-sporenvormende bacteriën. De reinigingsbeurt en de desinfectie moeten afzonderlijk worden uitgevoerd. Voer na het reinigen de desinfectie uit. Ga als volgt te werk:
 - Gebruik een specifiek ontsmettingsmiddel voor de voedingsindustrie. Controleer of op de verpakking de volgende kenmerken zijn aangeduid:
 - Ontsmettingsmiddel voor medisch chirurgisch gebruik of equivalent.
 - Registratienummer bij de gezondheidsdienst.
 - Tekst “voor gebruik in de voedingsindustrie”.
 - Dosissen en gebruikstermijnen.
 - Samenstelling, fabrikant, lot en productiedatum.
 - Veiligheidsvoorschriften voor gebruik.
 - Verdun het ontsmettingsmiddel volgens de instructies van de fabrikant. Opgelet: Besparing op het ontsmettingsmiddel zal leiden tot een risicodragende overleving van bacteriën terwijl een overmatige dosis van het werkzame bestanddeel de doeltreffendheid niet zal verbeteren.
 - Laat het ontsmettingsmiddel inwerken zoals aangeduid op de verpakking. Een te korte tijd kan leiden tot een inefficiënte ontsmetting.
 - Om de verschillende werkzaamheden correct uit te voeren, moet de schoonmaak van boven naar beneden worden uitgevoerd om te eindigen met de vloer.

Dutch

- Nadat het ontsmettingsmiddel werd toegepast, moeten de resten met een finale spoeling worden verwijderd.
- Lever bijzondere aandacht op voor de schoonmaak van de afvoer.
- Droog de oppervlakken goed af om vermenigvuldiging van bacteriën door de vochtige omgeving te vermijden.
- Het is aangeraden om de 6 maanden een ander type ontsmettingsmiddel te gebruiken om de selectie van resistente bacteriën te vermijden. Bacteriële sporen bieden de meeste weerstand en het is dus verkieslijk producten op basis van chloor te gebruiken.

initialisatieprocedure weergeeft en alle led achtereenvolgens aangaan.

• De menger draait niet:

- Controleer of de menger (5) correct aan de drijf-as is bevestigd en met de borging (4) is vergrendeld.
- Controleer of de menger ongehinderd kan draaien.
- Controleer of het deksel op juiste wijze is gesloten: een veiligheidsinrichting brengt de menger tot stilstand als het deksel wordt geopend.
- Controleer of de led van de menger (2a) niet knippert. Druk in dit geval tweemaal op de knop (2) om de menger weer op te starten. Controleer of het mengsel niet te stevig is waardoor de menger niet langer kan draaien.
- Controleer of de machine geen conserveringscyclus uitvoert (led (11a-b-c-d) knippert) waarbij de menger niet werkt.

EVENTUELE STORINGEN EN OPLOSSINGEN

• De machine koelt niet:

- Controleer of de stekker in het stopcontact steekt en of het apparaat wordt gevoed.
- De veiligheidsinrichting van de compressor is ingeschakeld: wacht 5-10 minuten voor u de machine weer inschakelt. De stilstandperiode van de machine neemt toe als u haar voortdurend en herhaaldelijk probeert in te schakelen.
- Controleer of de machine goed is geplaatst en of de ventilatieroosters (6) niet zijn verstopt.
- Controleer of de machine geen conserveringscyclus uitvoert (led (11a,b,c,d) knippert) waarbij de compressor werkt.
- Controleer of bij de inschakeling van de machine (schakelaar (10)) het bedieningspaneel de correcte

• De machine is luidruchtig:

- Tijdens de werking is een beetje geluid normaal; wend u echter tot een erkend servicecentrum als het geluid toeneemt om het ontstaan van ernstigere problemen te vermijden.
- Indien het **afvoersysteem niet meer hermetisch** afsluit moeten de dichtingen vervangen worden. (Er worden 2 extrasets bijgeleverd)
- Indien **de centrale ring binnen de menger niet goed vast gehedht blijft**, dient de dichting ring vervangen te worden. (Er worden 4 dichtingringen bijgeleverd)

HANDELING	COMBINATIE TOETSEN
ACTIVERING MENGER	2
ACTIVERING COMPRESSOR	1
ACTIVERING PROGRAMMA'S	11
ACTIVERING CONSERVERING	1+2 (3 seconden)
UITSCHAKELING DOOR PROGRAMMA	11 (3 seconden) vervolgens 1 en 2
UITSCHAKELING DOOR CONSERVERING	11 (3 seconden)
WIJZIGEN PROGRAMMA	11
WIJZIGEN CONSERVERING	12
ACTIVERING PROGRAMMA DOOR CONSERVERING*	11**
ACTIVERING PROGRAMMA DOOR CONSERVERING***	11

*Als de conservering na een programma wordt geactiveerd.

**Selecteer eerst een ander programma voor u het programma activeert waarvan de led knippert.

***Als de conservering zonder een programma wordt geactiveerd.

ОБЩИЕ УКАЗАНИЯ ПО МЕРАМ БЕЗОПАСНОСТИ

При эксплуатации электроприборов всегда необходимо проявлять большое внимание и соблюдать основные меры предосторожности, в том числе следующее:

- Внимательно прочитайте инструкцию по эксплуатации, прежде чем устанавливать и использовать прибор.
- Для предохранения от риска удара током не помещать корпус прибора в воду или другую жидкость.
- Не подпускать к эксплуатации прибора людей (включая детей) с физическими, осязательными или психическими ограниченными возможностями, либо с недостаточными знаниями и навыками, за тем исключением, когда они находятся под соответствующим наблюдением, либо предварительно получили инструкции по эксплуатации данного прибора лицом, отвечающим за их безопасность. Не допускать, чтобы маленькие дети играли с прибором.
- Отключать от сети, когда прибор не используется, перед сборкой-разборкой и перед очисткой.
- Избегать контакта с движущимися деталями. Чтобы избежать риска травмы или повреждения прибора, не дотрагиваться до него руками, волосами, одеждой, шпателями и другими приборами, пока он находится в рабочем состоянии.
- Не использовать прибор с повреждённым шнуром или вилкой, после сбоя в работе прибора, после падения или любого другого повреждения. В таких случаях рекомендуется отправить прибор в ближайший сервисный центр для ремонта.
- Использование неоригинальных запчастей или не рекомендованных изготовителем для данного прибора может привести к возгоранию, удару током или иной травме.
- Не использовать на открытом воздухе.
- Не допускать свисания шнура с края стола или рабочей поверхности и избегать соприкосновения его с горячими поверхностями.

СОХРАНЯЙТЕ ДАННЫЕ ИНСТРУКЦИИ

ВНИМАНИЕ

- Любую операцию, выходящую за рамки обычной чистки и ухода, должен выполнять представитель официального Специализированного Сервисного Центра.
- Вынув прибор из упаковки, проверьте его целостность. В случае сомнения не используйте прибор, а свяжитесь с официальным сервисным центром.
- Не оставляйте пластиковые пакеты, полистирол, гвозди и т.д. в зоне досягаемости детей, поскольку они представляют потенциальную опасность.
- Изготовитель и продавец не несут ответственности за неисправность, вызванную несоблюдением инструкций из данного руководства.
- Проверьте, что напряжение, указанное в техническом паспорте, совпадает с напряжением в энергосети вашей зоны.
- Не используйте режущие предметы и приборы внутри барабана, они могут вызвать повреждения. При выключенном приборе желательнее использовать резиновую лопатку или деревянную ложку.
- Не производите чистку чистящим порошком или жёсткими инструментами.
- Не устанавливайте и не используйте прибор на горячих поверхностях, а также вблизи открытого огня.
- Не помещайте части прибора в посудомоечную машину.
- Не вынимайте вилку из розетки, потянув за провод.
- Прибор должен быть подсоединён к электросети при помощи розетки, рассчитанной на минимальную силу тока в 10А и имеющей контакт заземления. Изготовитель не несёт ответственности за повреждения предметов или травмы людей в случае несоблюдения предписанных норма безопасности.
- Перед любой операцией по уходу или чистке прибора убедитесь, что он отсоединён от электросети.
- Никогда не мойте прибор под проточной водой, либо погружая его в воду!
- Этот прибор можно эксплуатировать при максимальной температуре окружающей среды в 43°C (климатический класс T).

ВАЖНО

Оставьте прибор на ровной горизонтальной поверхности минимум на 12 часов перед тем, как использовать его в первый раз. В случае, если прибор мог быть перевернут во время транспортировки, охладители должны вернуться в правильное положение.

Оставьте минимум по 20 см с каждой стороны машины, чтобы обеспечить свободный приток воздуха. Убедитесь, что вентиляционные отверстия свободны и не засорены.

- | | | |
|--|--|--|
| 1). Кнопка охлаждения. | 11). Кнопка выбора программ. | 12c). Индикатор цикла «Консервация №3». |
| 1a). Индикатор работы охладителя оборудования. | 11a). Индикатор программы «Итальянское мороженое». | 12d). Индикатор цикла «Консервация №4». |
| 2). Кнопка лопастей миксера. | 11b). Индикатор программы «Мягкое мороженое». | 13). Сальник. |
| 2a). Индикатор работы лопасти. | 11c). Индикатор программы «Гранита». | 14). Ершик. |
| 3). Прозрачная крышка. | 11d). Индикатор программы «Быстрая заморозка». | 15). Комплект пластиковых насадок для лопасти. |
| 3a). Отверстие для добавление продуктов с заглушкой. | 12). Кнопка выбора времени консервации. | 16). Комплект прокладок для отводного слива. |
| 4). Гайка фиксации лопастей. | 12a). Индикатор цикла «Консервация №1». | 17). Пластиковая втулка для лопасти. |
| 5). Лопасты миксера. | 12b). Индикатор цикла «Консервация №2». | |
| 6). Вентиляционная решётка. | | |
| 7). Лопаточка. | | |
| 8). Отверстие для отвода воды. | | |
| 9). Заглушка отводного слива. | | |
| 10). Основной световой индикатор. | | |

Поздравляем!

Вы приобрели фризер для мороженого NEMOX последнего поколения. Помимо производства мороженого, сорбетто, граниты на ваш выбор, вы сможете также консервировать продукцию в ванночке, чтобы она сохраняла идеальную температуру при подаче.

GELATO 5+5K TWIN CREA состоит из двух одинаковых групп, которые полностью независимы и автономны: Вы можете готовить два вида Мороженого в одном устройстве!

Встроенный компьютер поможет вам осуществлять работу наилучшим образом, усиливая ваш профессионализм, облегчая работу и сберегая драгоценное время.

Ваш фризер настроен на два типа работы:

- В **ручном режиме** работа компрессора и лопастей независима, что позволяет наилучшим образом использовать ваш опыт. Система консервации может быть запущена только, если вы сочтёте это необходимым. Электронное устройство останавливает лопасти только в случае, если чрезмерная консистенция продукта может повредить механические функции машины. Охладитель продолжает работать, пока не будет остановлен вручную.
 - В **автоматическом** режиме можно изначально выбрать 4 программы работы (классическое итальянское мороженое, мягкое итальянское мороженое, гранита, быстрое охлаждение) и одну из 4 программ консервации, предусмотренные встроенным компьютером.
- При этом режиме работы вам не придётся ни о чём беспокоиться: сделав свой выбор и запустив фризер, вы предоставите ему самому произвести мороженое и автоматически перейти в выбранный режим консервации.
- Вам останется лишь подать клиентам мороженое

в нужной консистенции.

ПЕРВОЕ ИСПОЛЬЗОВАНИЕ

- Установите **GELATO 5+5K TWIN CREA** на ровную поверхность, убедитесь, что вентиляционные решётки (6) не забиты. Оставьте минимум по 10 см. вокруг вентиляционных решёток.
- Оставьте машину в горизонтальном положении минимум на 8 часов перед первым использованием, чтобы, если при перевозке она переворачивалась, охладители вернулись в правильное положение.
- Перед тем, как начать использовать машину, аккуратно вычистите те части, которые непосредственно или косвенно контактируют с пищевыми продуктами (ванночку, лопасти миксера, насадки, гайку фиксации, крышку и т.д.).
- Гигиена крайне важна, когда обрабатываются пищевые продукты. Тщательно следите за предписаниями гигиенических норм, применимых в вашей стране (соответствующим HACCP).
- Во время эксплуатации прибор должен находиться на расстоянии от стен и мебели, чтобы не было препятствий для циркуляции охлаждающего воздуха. Выход тёплого или горячего воздуха - норма при работе машины, которая осуществляет теплообмен с окружающей средой в процессе охлаждения.

ПРИГОТОВЛЕНИЕ СМЕСИ

Выбрать рецепт и приготовить смесь, обращая внимание на следующее:

- Обращаться с ингредиентами, как предписано гигиеническими нормативами, применимыми в вашей стране (HACCP или соответствующим).
- Для приготовления мороженого и сорбетто **не вводить более 1,25 кг смеси для того**, чтобы позволить объёму правильно увеличиваться в

процессе смешивания.

- Для производства граниты рекомендуемое максимальное количество смеси 1 кг с лопастью, входящей в комплект. Можно обработать до 1,5 кг граниты со специальной лопастью, приобретаемой отдельно Pala Granita.
- Рекомендуется вливать смесь при температуре от +10°C до +20°C. При более высоких температурах время приготовления может значительно увеличиваться.

СПОСОБ ПРИМЕНЕНИЯ

- **GELATO 5+5K TWIN CREA** состоит из двух одинаковых групп, которые полностью независимы и автономны: здесь проиллюстрировано приготовление в одной группе.
- Убедитесь, что напряжение, указанное в техническом паспорте, совпадает с напряжением в вашей энергосети. Вставьте вилку в розетку и включите общий выключатель (10); световой индикатор укажет на присутствие напряжения. Электросхема осуществит проверку включения, по-очереди включая все индикаторы панели управления.
- Вставить лопасти миксера (5) в ванночку, поворачивая их по часовой стрелке до того момента, как они не встанут в пазы на дне ванночки.
- Закрутить гайку фиксации (4) до конца, чтобы как следует зафиксировать лопасти.
- Влить предварительно приготовленную смесь.
- Закрыть крышку (3).

ИСПОЛЬЗОВАНИЕ В РУЧНОМ РЕЖИМЕ

- Запустить охлаждающий аппарат, нажав на кнопку (1); загорится индикатор (1а).

ВАЖНО: в случае выключения машины из-за временных и неожиданных перебоях в подаче электроэнергии или из-за неправильного нажатия кнопки включения охладителя, подождать несколько минут перед повторным запуском.

- Нажать кнопку (2), чтобы запустить лопасти; включается индикатор (2а), производственный цикл начинается. Время приготовления варьируется в зависимости от количества, начальной температуры смеси, типа продукта (мороженое, сорбетто или гранита) и температуры окружающей среды.

ВАЖНО: ход лопастей абсолютно независим от системы охлаждения. Предохранительное устройство останавливает ход лопастей, когда поднимается крышка.

В случае если крышка будет поднята долго, система охлаждения продолжит работать.

Вследствие чего при опускании крышки лопасти могут не возобновить ход или остановиться из-за чрезмерно плотной консистенции смеси.

В этом случае электронный контроль полностью остановит лопасти, и индикатор (2а) начнёт мигать, что свидетельствует об ошибке.

Если приготовление ещё не закончено, выключить компрессор, нажав на кнопку (1), и лопасти посредством кнопки (2), подождать, пока смесь не станет более мягкой, и вновь запустить производство.

- В зависимости от рецепта и количества ингредиентов среднее время приготовления 15/20 минут.
- Через отверстие (3а) на крышке можно добавлять ингредиенты (например, для раскраски мороженого во время последней фазы приготовления).
- Когда готовый продукт достиг желаемой консистенции, выключить систему охлаждения, нажав на кнопку (1) и остановить лопасти, нажав на кнопку (2). Чтобы легче было выгрузить готовый продукт из чаши, необходимо вынуть лопасть (5), окрутив гайку фиксации (4).

РУЧНОЙ ЗАПУСК ЦИКЛА ХРАНЕНИЯ

Если потребуется, вы можете активировать функцию хранения вручную, вы можете сделать это в любое время. Удерживайте кнопку вращения лопастей (2) и кнопку системы охлаждения (1) одновременно в течение 3 секунд. Фризер сразу же переключится в режим хранения, исходя из производственной программы для классического итальянского мороженого. Включится индикатор (12а).

Если вам нужно запустить цикл хранения связанный с другой программой производства, до переключения из ручного режима в режим хранения, выберите нужную производственную программу (см. раздел «Изменение цикла хранения»).

ИСПОЛЬЗОВАНИЕ В АВТОМАТИЧЕСКОМ РЕЖИМЕ

Машина **GELATO 5+5KTWIN CREA** снабжена рядом программ, которые автоматизируют процесс изготовления и консервации.

- Следуйте инструкции, как описано в параграфе «СПОСОБ ПРИМЕНЕНИЯ».
- При нажатии кнопки (11) машина запускается в автоматическом режиме, согласно выбранной ранее программы работы. Индикатор мерцает 3 секунды, в течение которых, ещё раз нажав на кнопку (11), можно выбрать другие программы.
- Когда индикатор стабилизируется, выбранная программа запускает производственный цикл.

- Машина имеет 4 программы для приготовления и 4 цикла хранения для них. При запуске выбранной программы, возможно, выбрать цикл хранения по усмотрению. Выбор цикла хранения происходит нажатием кнопки (12). При переключении с первой программы хранения на четвертую, консистенция мороженого будет последовательно изменяться.
- Когда мороженое достигнет нужной консистенции, производственная программа автоматически остановится и будет активирован заданный цикл хранения.
- Каждая производственная программа имеет заданное пороговое значение времени, после которого аппарат переходит в цикл хранения, независимо от текущей фазы производства. В некоторых случаях можно включить выбранный цикл хранения в любое время, по окончании производственной программы. Выберите нужный цикл хранения с помощью клавиши 12 (последовательность выбора). Удерживайте кнопки вращения лопастей (2) и системы охлаждения (1) одновременно в течение 3 секунд. Фризер немедленно переключится с цикла приготовления на цикл хранения.
- **ПРОГРАММА «КЛАССИЧЕСКОЕ ИТАЛЬЯНСКОЕ МОРОЖЕНОЕ» И «СОРБЕТТО».** При нажатии один раз кнопки (11) загорается индикатор (11а) и запускается программа приготовления. По завершении цикла приготовления индикатор (11а) начинает мигать, что свидетельствует о запуске выбранного цикла хранения.
Если продукт готов до истечения времени, предусмотренного циклом, лопасти блокируются. Функция хранения активируется автоматически.
- **ПРОГРАММА «МЯГКОЕ МОРОЖЕНОЕ».** При нажатии два раза кнопки (11) загорается индикатор (11b) и запускается программа приготовления. По завершении цикла приготовления индикатор (11b) начинает мигать, что свидетельствует о запуске выбранного цикла хранения.
Если продукт готов до истечения времени, предусмотренного циклом, лопасти блокируются. Функция хранения активируется автоматически.
- **ПРОГРАММА «ГРАНИТА».** При нажатии три раза кнопки (11) загорается индикатор (11с) и запускается программа приготовления граниты. По завершении цикла приготовления индикатор (11с) начинает мигать, что свидетельствует о запуске выбранного цикла хранения.
Если продукт готов до истечения времени, предусмотренного циклом, лопасти блокируются.

Функция хранения активируется автоматически.

- **ПРОГРАММА «БЫСТРАЯ ЗАМОРОЗКА».** При нажатии четыре раза кнопки (11) загорается индикатор (11d) и запускается программа быстрой заморозки. По завершении цикла приготовления индикатор (11d) начинает мигать, что свидетельствует о запуске выбранного цикла консервации.

Эта программа используется, когда начальная температура смеси высокая, или когда хочется пастеризовать смесь. Программа быстро сбивает температуру, не позволяя смеси абсорбировать слишком много воздуха, сокращая время и улучшая качество готового мороженого.

ИЗМЕНЕНИЕ ВЫБРАННОЙ ПРОГРАММЫ

Когда при уже запущенной программе необходимо выбрать другую, это возможно сделать, просто нажав кнопку (11). При выборе новой программы будет остановлена уже запущенная программа. Новая программа запустится сразу же, используя всё установленное время, начав цикл приготовления с самого начала.

ПЕРЕХОД ИЗ АВТОМАТИЧЕСКОГО РЕЖИМА В РУЧНОЙ

Во время программы приготовления в любой момент, возможно, перейти из автоматического режима в ручной.

При нажатии в течение 3 сек. кнопки (11) машина перейдет в ручной режим, включив одновременно индикаторы лопастей (2а) и компрессора (1а). Выбранный цикл хранения будет деактивирован.

ОТКЛЮЧЕНИЕ МАШИНЫ ВО ВРЕМЯ ПРИГОТОВЛЕНИЯ В АВТОМАТИЧЕСКОМ РЕЖИМЕ

Когда необходимо выключить машину до завершения цикла выбранной программы, нужно сначала перейти в ручной режим, 3 сек. удерживая кнопку (11), а затем нажать кнопки лопастей (2) и компрессора (1), чтобы остановить работу полностью. Не выключайте машину сразу общим выключателем (10)!

ИЗМЕНЕНИЕ ЦИКЛА ХРАНЕНИЯ ВО ВРЕМЯ ВЫПОЛНЕНИЯ ПРОГРАММЫ

Во время фазы автоматического приготовления в любой момент можно изменить выбранный цикл хранения. Нужно несколько раз нажать на кнопку (12), пока соответствующий индикатор не укажет на выбор желаемого цикла. Индикатор будет мигать в течение 3 сек., затем зажжется ровным светом: в этот момент новый цикл хранения выбран и запустится сразу после завершения программы

приготовления. Каждая программа приготовления по своему завершению запускает выбранный цикл хранения.

БЛОКИРОВКА ЛОПАСТЕЙ ПРИ ПОДНЯТИИ КРЫШКИ

Поднятие крышки (3) останавливает только лопасти (5) и не влияет на программу приготовления.

Закрытие крышки (3) запускает ход лопастей (5) (если это в данный момент предусмотрено выбранной программой). Если смесь окажется чрезмерно плотной консистенции, что будет мешать ходу лопастей, машина автоматически запустит предварительно выбранный цикл хранения.

РУЧНОЙ ЗАПУСК ЦИКЛА КОНСЕРВАЦИИ

Если кажется уместным, в любой момент можно запустить выбранный цикл хранения, завершив программу приготовления. Если в течение 3 сек. удерживать нажатыми кнопки вращения лопастей (2) и компрессора (1), машина запустит выбранный цикл хранения, завершив приготовление продукта.

АВТОМАТИЧЕСКОЕ ХРАНЕНИЕ

Предусмотрены 4 цикла хранения, доступные для каждой взбивающей программы, (всего 16 циклов) которые разработаны для удовлетворения широкого спектра потребностей и выбранные на основе изучения самых широких требований.

- При нажатии в течение 3 сек. одновременно кнопок (1) и (2) машина запускает автоматическую консервацию.
- В автоматическом режиме, если фризера не остановился, в конце каждого цикла производства включается функция хранения мороженого выбранного цикла.
- Мигание светодиода соответствующей программы обработки мороженого информирует об активации функции хранения функции.
- Выбор нужного цикла может происходить либо в начале, либо в процессе работы.
- В зависимости от типа рецептуры и / или количества приготовления, каждый набор циклов хранения в сочетании со скоростью вращения лопасти, обеспечивает оптимальные условия для хранения готового продукта.
- Нажатие на кнопку (12) несколько раз отобразит индикаторы различных циклов хранения в зависимости от последовательности. Если вы переключаете с первого цикла (индикатор (12a) активный) на четвертый (индикатор (12d) активный) программы хранения, плотность мороженого будет постепенно увеличивается.

- После того как вы выбрали нужный цикл, соответствующий светодиод будет мигать в течение 3 секунд и станет гореть постоянно, подтверждая ваш выбор.

- Если вы используете регулятор скорости вращения лопасти, вы также сможете регулировать плотность продукта: низкая скорость соответствует более высокой плотности, в то время как на высоких скоростях вы будете иметь большее насыщение воздуха и меньшую плотность продукта. Скорость и выбранная комбинация цикла позволит получить оптимальный способ хранения.

ИЗМЕНЕНИЕ ЦИКЛА ХРАНЕНИЯ

Вы всегда можете выбрать другой цикл хранения в течение активной фазы или во время паузы фазы рабочего цикла. Нужно несколько раз нажать кнопку (12), пока индикатор, который соответствует желаемому циклу, не будет активирован. Индикатор будет мигать в течение 3 секунд, и потом будет гореть постоянно: новый цикл хранения будет выбран и активирован.

В случае необходимости перейти на цикл хранения, который связан с другой программой, необходимо включить соответствующую программу, нажав на кнопку (11). После включения программы, переключитесь на цикл хранения, удерживая кнопки (2) и (1) в течение 3 секунд. Фризер активирует цикл хранения, соответствующий данной программе.

ПЕРЕКЛЮЧЕНИЕ С ФУНКЦИИ ХРАНЕНИЯ НА ПРОГРАММУ ПРИГОТОВЛЕНИЯ

Сохраняя функцию хранения активной, вы можете включить автоматическую программу, просто выбрав ее, нажав кнопку (11). Индикатор, соответствующий выбранной программе будет мигать в течение 3 секунд, и потом будет гореть постоянно, фризер выйдет из цикла хранения и запустит выбранную вами программу. Впоследствии, цикл хранения, связанный с выбранной программой будет включен.

БЛОКИРОВКА ЛОПАСТИ ПРИ ОТКРЫВАНИИ КРЫШКИ

Открытие крышки (3) останавливает только лопасть (5) и не влияет на цикл хранения. Закрытие крышки (3) позволяет продолжить вращение лопасти (5) (при условии, что это предусмотрено выбранным циклом хранения в данный момент). Если смесь окажется чрезмерно плотной и будет препятствовать движению лопасти, фризер автоматически повторно

активирует цикл хранения с самого начала.

ОТКЛЮЧЕНИЕ МАШИНЫ ВО ВРЕМЯ КОНСЕРВАЦИИ

Чтобы выключить машину, 3 сек. держать нажатой кнопку (11), а затем нажать кнопку общего выключателя (10). Не выключайте машину сразу общим выключателем (10)!

ВАЖНО!

- Каждый цикл хранения продолжается, пока оператор не решит его остановить.
- **Хранить продукт в чаше не более 12 часов. Машина не приспособлена для использования в качестве хранилища или холодильной камеры.**
- Система охлаждения и работа лопасти будет оставаться в рабочем состоянии на протяжении всего периода хранения.
- После использования необходимо отключить машину ТОЛЬКО посредством общего выключателя (10).

ПОЛЕЗНЫЕ РЕКОМЕНДАЦИИ

- Использование ингредиентов при температуре холодильника сокращает время приготовления. Также можно снизить температуру тёплых ингредиентов, используя специальную программу быстрого охлаждения.
- Внимание: не использовать ингредиенты слишком холодные или почти замороженные.
- Для корректного увеличения объёма во время перемешивания использовать максимум 1,5 кг. ингредиентов для приготовления мороженого и сорбетто.
- Для приготовления **граниты максимальное количество ингредиентов 1,3 кг с лопастью**, поставляемой с машиной. Можно обработать до 1,8 кг граниты, используя специальную лопасть для граниты, приобретаемая её отдельно.

ЧИСТКА ЧАШИ

GELATO 5+5K TWIN CREA очень легко чистить. Необходимо сделать следующее:

- Выключите систему охлаждения, извлеките лопасть и залейте в чашу около 2 литров теплой воды или средства с низким пенообразованием.
- Мыть чашу желательно губкой. **Не использовать острые приборы внутри чаши.**
- Расположите контейнер на 3 литра под сливным отверстием (8)
- Извлеките заглушку (9). Вода из чаши будет стекать в контейнер.
- Повторите данную операцию, используя чистую воду.

- Когда чаша будет пустой, прочистите сливное отверстие ершиком (14).
- Установите на место заглушку (9) до упора.
- При необходимости повторите цикл, пока чаша не будет полностью очищена.

УХОД ЗА МАШИНОЙ И ЕЁ ЧИСТКА

- Перед тем, как начать чистку машины, убедиться, что она выключена (общий выключатель (10) на OFF), а вилка вынута из розетки.
- Снимите лопастные насадки.
- Вынуть стальной стержень и снимите с машины прозрачную крышку (3).
- Лопасти (5), насадки на лопасти, прозрачную крышку (3) можно мыть в посудомоечной машине или горячей водой с соответствующим моющим средством.
- Если насадки на лопасти повреждены или изношены, они должны быть заменены, чтобы избежать менее эффективного перемешивания ингредиентов.
- Чистить корпус машины и несъемные части специальным средством.

ВАЖНО: не мыть машину под струей воды! Содержит электрические детали.

- Сушить аккуратно впитывающей материей, чтобы избежать налётов любого типа.
- Хотя бы раз в год чистить вентиляционные решётки (6) в нижней части машины.
- Периодически (хотя бы раз в 3 месяца) проверять сальник (13) наверху втулки: при необходимости заменить, либо смазать жиром категории H1 или выше. Специально изученный жир можно заказать в любом официальном сервисном Центре. Сменный сальник (13) поставляется в комплекте с оборудованием.

САНИТАРНАЯ ОБРАБОТКА

Санитарная обработка, должна регулярно проводиться, необходима для удаления значительной части микроорганизмов, чьи клетки и споры могут образоваться. Должна осуществляться в конце производственного цикла ежедневно или чаще, если это необходимо. Очистка включает в себя два этапа:

• ОЧИСТКА.

Удалите грязь (грубые остатки) и смойте теплой водой сразу после работы; посредством трения и воды очистите чашу и детали. Использование химических моющих средств снижает, но не отменяет ручную очистку. **ВНИМАНИЕ:** любая очистка, не обеспечивает полного удаления микро-биотических загрязнений.

Выполните следующие действия:

- удалите элементы крупной «грязи» механическим способом.
- промойте горячей воды во-первых, при 45°C, чтобы растворить жир и облегчить его удаление, но ниже 60°C, чтобы избежать "сворачиваемости" белков, углеводов и жиров. Все элементы фризера и съемные части оборудования могут быть легко очищены примерно за 15 минут.
- Используйте моющие средства: в связи с тем, что большинство остатков пищи (белков и жиров) не могут быть растворены в воде, их полное удаление требует использования мощных средств, которое отделяет грязь с поверхности и обеспечивает его дальнейшее удаление путем промывки
- окончательно промойте водопроводной водой не менее 5 минут.

• ДЕЗИНФЕКЦИЯ

Дезинфекция способствует ликвидации спорообразующих патогенных бактерий и значительному сокращению непатогенными и не спорообразующих бактерий. Очистки и дезинфекции должна выполняться отдельно.

После очистки проведите дезинфекцию. Выполните следующие действия:

- Используйте специальные дезинфицирующее средство, которое подходит для продовольственного сектора промышленности. Убедитесь, что на упаковке должным образом маркированы следующие особенности:
 - дезинфицирующее средство для медицинских устройств или аналогичный
 - Регистрационный номер в агентстве здравоохранения.
 - Маркировка "для использования в пищевой промышленности"
 - Описание дозировки.
 - Состав, изготовитель, партию и дату производства.
 - Предупреждения по безопасному использованию.
- Разведите дезинфицирующее средство, следуя инструкциям производителя. **Внимание:** используя меньшее количество дезинфицирующего средства, отличных от рекомендованных, может способствовать распространению бактерий, а также с использованием избыточного количества также не улучшает эффективность.

- Оставьте дезинфицирующее средство на необходимое время. Если сократить время дезинфекции, дезинфекция может быть неэффективной.
- Для того чтобы выполнять различные операции правильно, вы должны проводить дезинфекцию сверху вниз, завершая уборку полом.
- После применения дезинфицирующих средств, удалите остатки средства и тщательно все промойте.
- Тщательно просушите поверхность, чтобы избежать распространения бактерий под действием влаги;
- мы рекомендуем вам чередовать каждые 6 месяцев тип дезинфицирующего средства, чтобы избежать развития устойчивых форм бактерий. Споры бактерий являются наиболее устойчивыми биологическими формами, следовательно, рекомендуется использовать средства на основе хлора.

ВОЗМОЖНЫЕ ПРОБЛЕМЫ И ИХ РЕШЕНИЕ

• Машина не производит холода:

- Проверить, что вилка правильно вставлена в розетку, и электричество поступает в прибор. Перезапустить мороженицу.
- Активировался предохранитель компрессора: подождать 5-10 минут, а затем перезапустить машину. Внезапные и постоянные попытки запуска только увеличат период неактивности машины.
- Проверить, правильно ли установлена машина, свободны ли вентиляционные решётки (6).
- Проверить, не выполняет ли машина цикл консервации (мигающий индикатор (11)), который предусматривает остановку компрессора.
- Проверить включение машины (выключатель (10)), панель управления показывает корректную процедуру запуска, по-очереди включая индикаторы.

• Лопасты не вращаются:

- Проверить, что лопасти (5) правильно насажены на стержень и заблокированы соответствующей фиксирующей гайкой (4).
- Проверить, нет ли препятствий вращению.
- Убедиться, что крышка закрыта в правильном положении: предохранитель останавливает лопасти, если крышка открывается.
- Проверить, что индикатор лопасти (2a) не мигает. В таком случае нажать на кнопку (2) два

раза, чтобы заново запустить лопасти. Убедиться, что смесь не слишком плотная, что препятствует вращению лопастей.

- Убедиться, что машина не выполняет цикл хранения (мигающий индикатор (11a-b-c-d)), который предусматривает остановку лопастей.

• **Машина шумит:**

- Небольшой шум является нормой при работе машины; тем не менее, если он становится чрезмерным, связаться с сервисным центром, чтобы избежать более серьезных проблем.

• **При утере сливной заглушки:**

- Замена уплотнительной прокладки. В комплекте с оборудованием поставляется 2 набора уплотнительных прокладок (16).

• **Пластиковая втулка (17) больше не привязана к лопасти:**

- Замените уплотнительную прокладку втулки. В комплекте с оборудованием поставляется четыре уплотнительных прокладки (15).

ДЕЙСТВИЕ	КОМБИНАЦИЯ КНОПОК
ЗАПУСК ЛОПАСТЕЙ	2
ЗАПУСК КОМПРЕССОРА	1
ЗАПУСК ПРОГРАММ	11
ЗАПУСК ХРАНЕНИЯ	1+2 (3 секунды)
ВЫКЛЮЧЕНИЕ ИЗ ВЫПОЛНЯЕМОЙ ПРОГРАММЫ	11 (3 секунды), потом 1 и 2
ВЫКЛЮЧЕНИЕ ИЗ ХРАНЕНИЯ	11 (3 секунды)
СМЕНА ПРОГРАММЫ	11
СМЕНА ХРАНЕНИЯ	12
ЗАПУСК ПРОГРАММЫ ХРАНЕНИЯ *	11**
ЗАПУСК ПРОГРАММЫ ХРАНЕНИЯ ***	11

* Если хранение запускается после программы.

** Для запуска программы, индикатор которой мигает, сначала выбрать иную программу.

*** Если хранение запускается без выполнения программ.

ATTENTION:

Pls keep the packaging boxes. They will be necessary in case you should return the machine for repair or you should return it for any other reason. If the machine will be sent back with a packaging box not suitable for transportation all repairing charges will be at charge of the sender, even if the machine is under warranty . If the machines doesn't need to be repaired and the package will not be suitable the machine will be returned to the sender too.

ATTENTION:

Veillez conserver les emballages. Ils seront necessaires au cas où la machine sera retournée pour réparation ou pour n'importe quelle raison. Si les machines seront retournées dans un emballage pas conforme au transport toutes les frais de réparation seront à charge de l'expéditeur même si la machine sera sous garantie. Aussi s'il ne s'agit pas de réparation et si l'emballage ne sera pas conforme la machine ne sera pas acceptée et elle sera retournée à l'expéditeur.

CUIDADO:

Guardar los emballajes en el caso el aparato sea devuelto para reparacion o devolucion. En el caso los aparatos seran entregados en cajas no bien protegidas los gastos de la reparaciòn seran cargados al cliente a pesar de la garantia, mientras las devoluciones no seran aceptadas.

ATTENZIONE:

Conservare gli imballi in caso la macchina debba essere restituita per riparazioni o resa. In caso di macchina spedite in imballo non adatto alle modalità di trasporto gli interventi di riparazione saranno interamente a carico del mittente a prescindere dalla garanzia, mentre i resi non saranno accettati.

ACHTUNG:

Bewahren Sie bitte immer die Originalverpackung. Falls das Gerät nicht in seiner Originalverpackung zum Kundendienst zugeschickt wird, gehen die Kosten für die Reparatur auch während der Garantiezeit zu Lasten des Kunden. Retouren ohne Originalverpackung werden verweigert.

LETOP:

Bewaar de verpakkingen voor het geval het apparaat teruggestuurd moet worden voor reparaties of in geval van retourzending. Bij verzending van het apparaat in een ongeschikte verpakking zullen de reparatiekosten volledig voor rekening van de zender zijn, ongeacht de garantie, en een retourzending zal niet worden geaccepteerd.

ВНИМАНИЕ:

пожалуйста сохраните упаковочные коробки. Они нужны если понодобиться отдать прибор в сервис или его вернуть продавателю. В случае если прибор отправлен по почте не в оригинальной упаковочной коробке, сервисные расходы будут полностью за счет отправителя, не зависимо от гарантийных условий. Продаватель умеет право не принимать приборы не в оригинальной упаковочной коробке.



CERTIFIED
ISO 9001:2008



NEMOX International S.r.l.
Via E. Mattei, N° 14
25026 Pontevedo
Brescia - ITALY

www.nemox.com

cod. 519816R01