

SB 193

Storage bin 129 kg

Scotsman
Ice Systems

Item #:
Project:
Quantity:



FEATURES:

- Slope front ice storage bin, for Gourmet & Dice Cubes, Flake, Superflake, Nugget, Cubelet ice.
- New sleek, contemporary styling.
- Convenient and hygienic internal ice scoop holder.
- Exterior panels in durable stainless steel.
- Polyurethane Insulation.
- High density, non-corroding Polyethylene bin liner, designed with easy-to-clean rounded corners, resistant to scratches and scuffs from ice scoops.
- Robust door frame will resist operational abuse.
- Rounded door-lip profile allows an easy reach for enhanced ease of operation.

UNIT DATA

Size (W x D x H) 569 x 841 x 1045 mm
Net weight 36 kg

SHIPPING DATA

Carton (W x D x H) 620 x 885 x 1050 mm
Weight 50 kg

Bin	Compatibility	Ice Machine
SB 193	✓	MXG 327-328-427-428
	✓	C 322-522-722
	✓	MV 306-426-430
	✓	NW 307-308-507-508
	✓	N 622
	CBT22EFCD	MFN 46-47-56
	✓	MF 26-36
	CBT22EFCD	MF 46-47-56-57

LEGEND:

- ✓ : Perfect combination between ice maker and bin
- : Ice chute cut-out performed upon installation
- CBTxxxxxxxx : need additional bin top

CERTIFICATIONS:



IMPORTANT NOTICE:

Models and specifications are subject to change without notice. This spec sheet is meant for commercial purpose only. For technical documentation please refer to our service manuals.

www.scotsman-ice.it
www.scotsman-ice.com

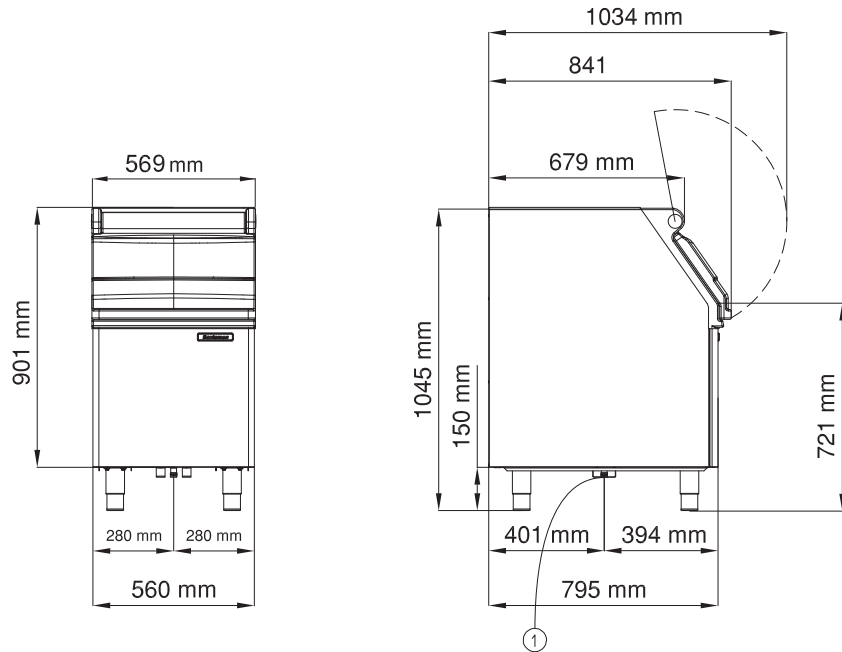
Storage bin 129 kg

SB 193

Storage bin 129 kg

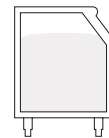
Item #:
Project:
Quantity:

Storage bin 129 kg



1) Drain Ø 20 mm

Ice capacity (application)*	Ice capacity (AHRI)**	Internal volume
kg	kg	m ³
129	101	0.264



(*) Application capacity is calculated on 90% of total volume x 545 kg/m³



(**) AHRI capacity is calculated on 80% of total volume x 481 kg/m³